



**SOLUTION SC (S3)
OPTIONAL
DIRECT AIR KIT**

EN13240:2011 +A2:2004

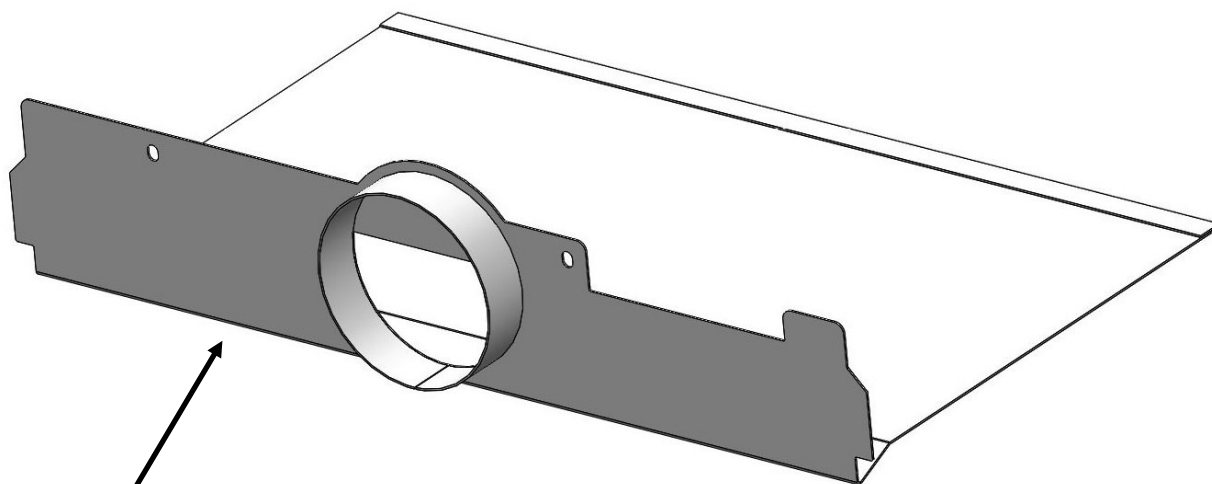
BK 737 Rev 01

ISSUE DATE : 22/10/2018



SOLUTION (S3) Accessory Instructions

1. Contents Of Kit :



1 no. Direct Air Plate (Stainless Steel—Unpainted)

2 no. M5 Penny Washer



2 no. M5 x 10mm Fixing Screws (Pozi)



2. Warnings



IMPORTANT—Please ensure the appliance is cold and unlit before commencing fitting this accessory kit.

Please refer to the main instruction booklet relevant to your stove, (BK 730) for guidance and operation of this appliance.

Arada Ltd will not be responsible for any consequential or incidental loss or injury however caused.

Please note, this accessory kit can only be fitted **prior** to the appliance (stove) being installed and connected to the flue system, within the property.

When handling the components of the kit, it is recommended to wear suitable gloves to prevent hand injuries.

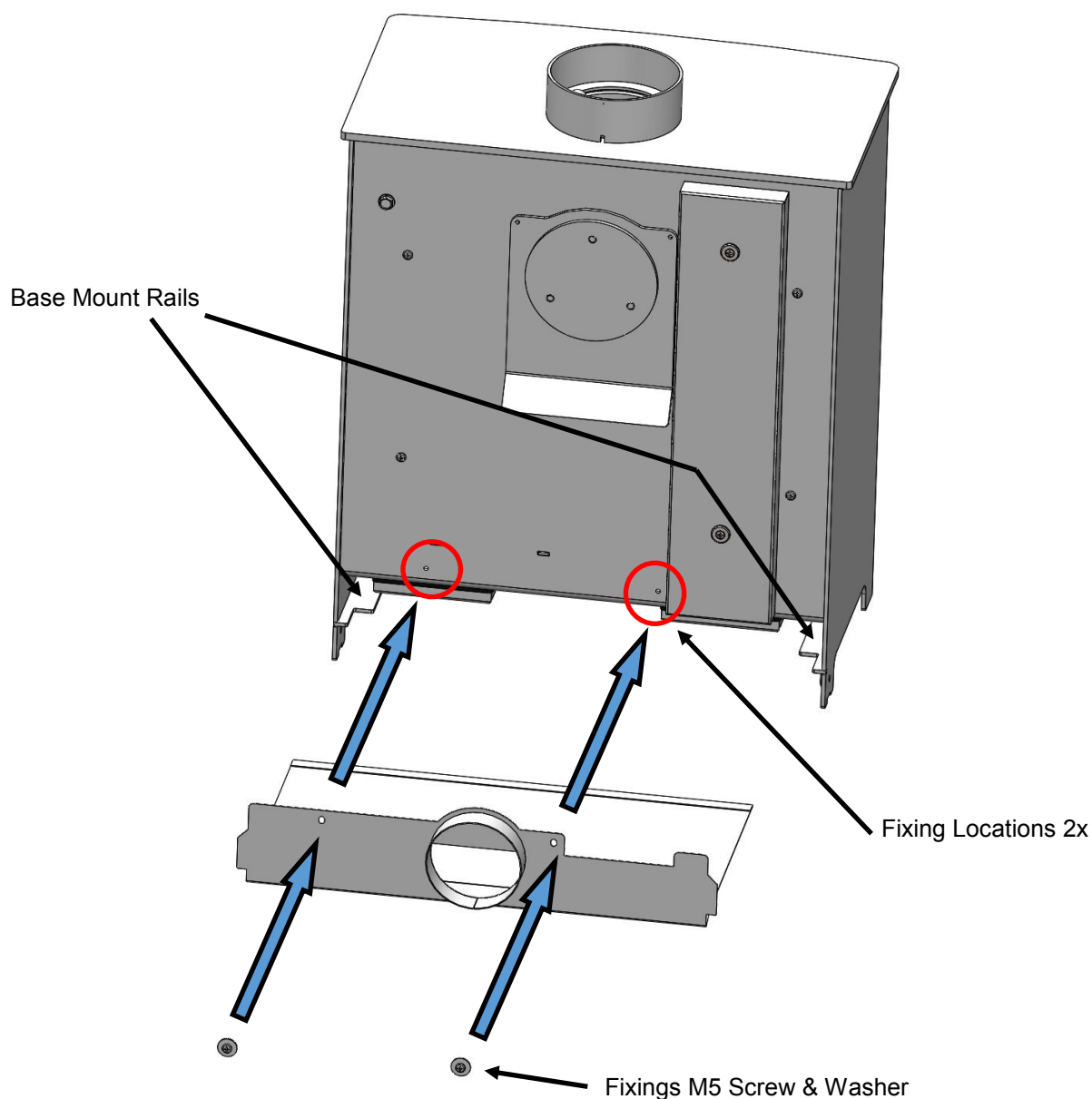
SOLUTION (S3) Accessory Instructions

3. Fitting Instructions

Step 1 : Working at the rear of the appliance, locate the base mount rails, as shown below.

Step 2 : Take the direct air plate and slide the open end into the stove, resting the base of the plate onto the base mount rails. Slide the plate forward until the rear fold makes contact with the rear of the appliance.

Step 3 : Secure in place using the M5 screws and M5 washers supplied, as shown below.



SOLUTION (S3) Accessory **Instructions**

4. Notes :

Arada Ltd,

The Fireworks, Weycroft Avenue,

Axminster, Devon,

United Kingdom,

EX13 5HU