



Hamlet


HAMLET

Putting warmth at the
heart of the home.

Solution 5 Bioethanol



Solution 5 in optional Miami blue colourway and optional flue

Renewable and Sustainable Energy With Style

This easy-to-operate stove runs entirely on liquid bioethanol fuel, a renewable energy source distilled from wheat and corn crop waste. This stove produces a heat that would give most electric and gas fires a run for their money and yet is also a friendly heating companion for your home.

Easy to Use and Quick to Set Up

Bioethanol burns efficiently and cleanly, so there's no need for a flue. It's basically 'ready to run' out of the box. Your only decision should be where to place it in your living space. Of course, you can always add an optional flue to get the full 'wood burner look' too.

Features

- Burns bioethanol fuel
- Easy setup, no chimney or venting system required
- 10 year guarantee on the stove body
- Available in multiple colours and can be fitted with a top flue, purely for aesthetics

Optional Extras: Top Flue Collar / Colour Options

Real Flame and Real Heat

Unlike a gas or electric fire, there are real flames here that shimmer and dance! This stove has a 3mm steel body and a fully cast iron stove door, that absorbs the impressive heat output and continues to radiate residual heat into the room for long after its been lit.

Dimensions

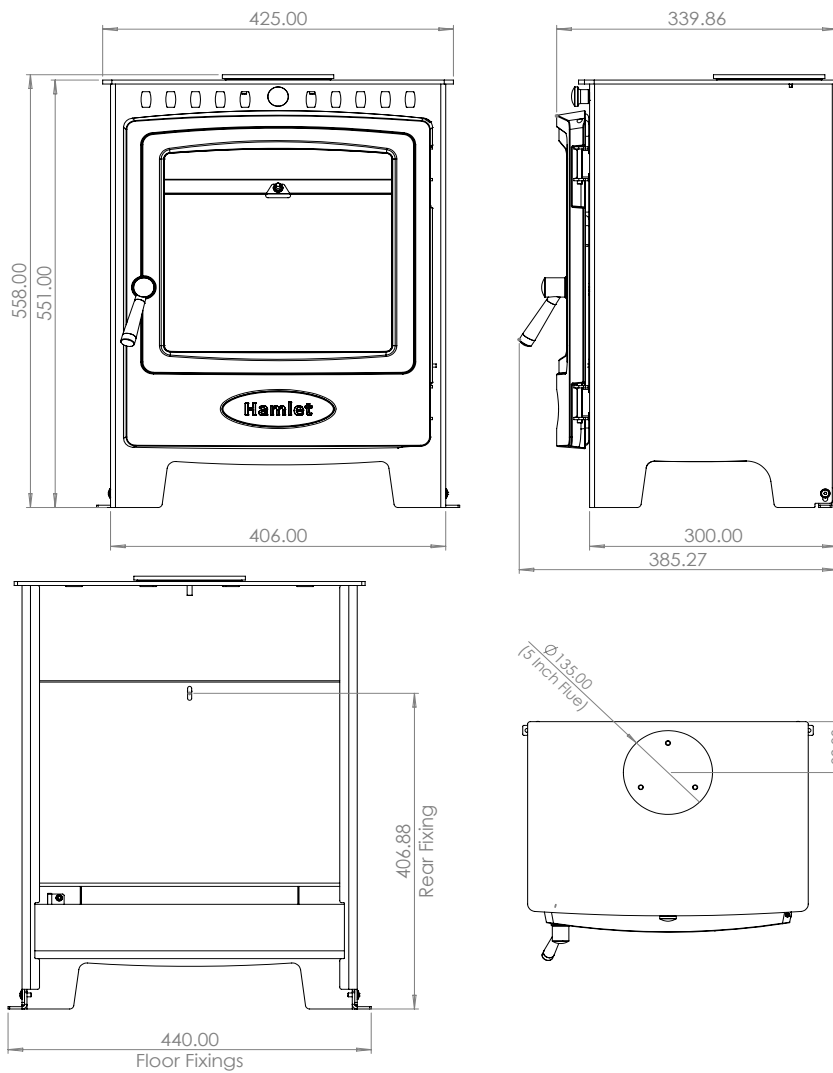
Width	440 mm
Height	558 mm
Depth	385 mm
Burner capacity (to full)	1.0 Litre



Solution 5 Bioethanol shown with optional top flue. It can be placed in a fireplace or in an open area with a stable and level non-combustible surface, such as a glass hearth as pictured. A flue collar is available separately.



Solution 5 Bioethanol



Performance

Fuel Type	Bioethanol
Burner Capacity (Max inc Overfill 1Litre)	0.8 Litre
Nominal Heat Output to Room	2.46 kW
Max Burn Rate	0.35 Litres / Hour
Typical Run Time (approximate)	2 to 4.5 Hours

Features

Stove body type	Freestanding
Body thickness	3mm Steel
Cast Iron door	Yes
Optional decorative flue compatibility	Standard 5 inch flue collar and flue pipe
Suitable for non-combustible 12mm hearth	Yes
Weight gross (packed kg)	49 Kg
Weight nett (unpacked kg)	40 Kg

Dimensions

Width (inc. floor fixings)	440 mm
Height (Inc. Hot Plate)	558 mm
Depth (Inc. Door Handle)	385 mm
Depth from back to centre of top flue	82 mm
Height from floor to rear fixing point	407 mm

Minimum Distance to Surrounding Materials

Install location	Rear	Per Side	Top	Notes
Inside an alcove or recess	50 mm	75 mm	200 mm	Included limit screws must be fitted
Outside of alcove or recess	100 mm	200 mm	300 mm	Included limit screws not required

Installation and operating instructions for this stove are available online at www.aradastoves.com.

An approved (BS-EN 50291) and working Carbon Monoxide (CO) alarm should be installed in the same room where the appliance is being fired.

Solution 5 Widescreen Bioethanol



Solution 5 Widescreen Bioethanol shown in optional Straw colourway and with an optional top flue

A Bold View of Renewable Heating

This stylish and easy-to-operate Widescreen stove runs entirely on liquid bioethanol fuel. This model has a large door glass with a beautiful flame view and is a stylish heating companion for your home.

Easy to Use and Quick to Set Up

Bioethanol burns very efficiently and cleanly, so there's no need for a flue. It's basically 'ready to run' out of the box. No need for an electrician or annual chimney sweeping or flue maintenance! You just need to decide where to place it in your living space.

Features

- Burns bioethanol fuel
- No chimney or venting system required
- Suitable for smoke control areas
- 10 year guarantee on the stove body
- Non-smoker paint, available in multiple colours
- Can be fitted with a top flue, purely for aesthetics

Optional Extras: Top Flue Collar / Colour Options

Real Flame and Real Heat

Unlike a gas or electric fire, there are real flames here that shimmer and dance! This stove has a 3mm steel body and a fully cast iron stove door, that absorbs the impressive heat output and continues to radiate residual heat into the room for long after its been lit.

Dimensions

Width	525 mm
Height	558 mm
Depth	382 mm
Burner capacity (to full)	1.0 L



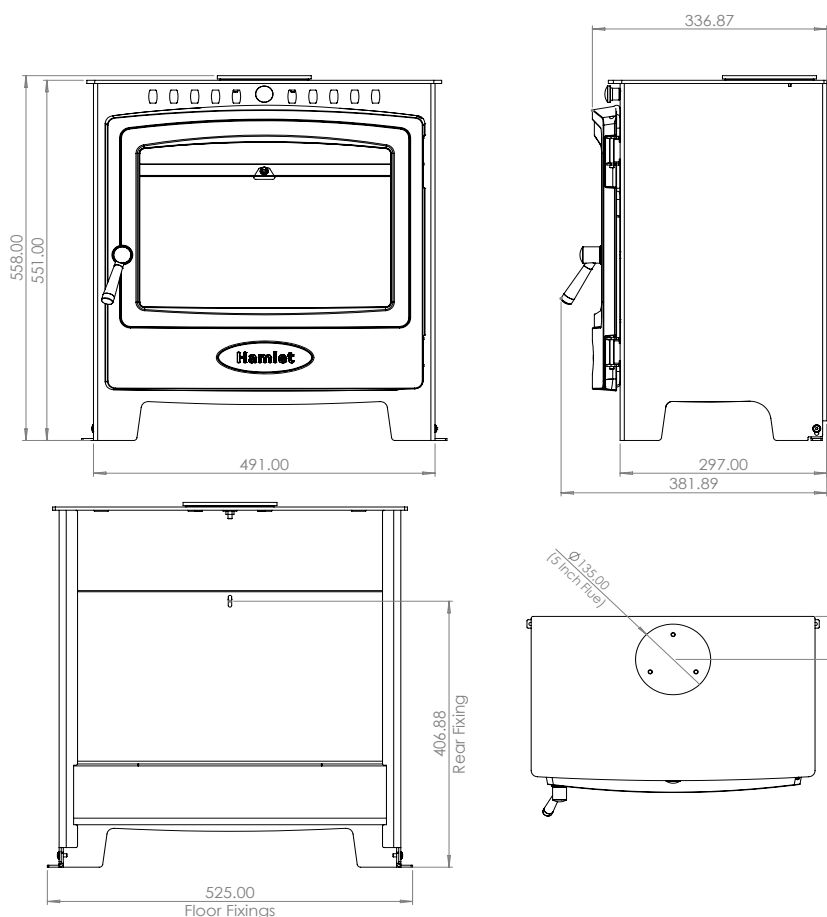
Solution 5 Widescreen (shown here in standard Midnight Black) comes with a top hot plate as standard, so you can use it straight away without ever needing a flue.



The burner tray is easy to access, light and control. The stove also comes with decorative ember chippings as standard



Solution 5 Widescreen Bioethanol



Performance

Fuel Type	Bioethanol
Burner Capacity (Max inc Overfill 1Litre)	0.8 Litre
Nominal Heat Output to Room	2.46 kW
Max Burn Rate	0.31 Litres / Hour
Typical Run Time (approximate)	2.5 to 4.5 Hours

Features

Stove body type	Freestanding
Body thickness	3mm Steel
Cast Iron door	Yes
Optional decorative flue compatibility	Standard 5 inch flue collar and flue pipe
Suitable for non-combustible 12mm hearth	Yes
Weight gross (packed kg)	49 Kg
Weight nett (unpacked kg)	40 Kg

Dimensions

Width (inc. floor fixings)	525 mm
Height (Inc. Hot Plate)	558 mm
Depth (Inc. Door Handle)	382 mm
Depth from back to centre of top flue	82 mm
Height from floor to rear fixing point	407 mm

Minimum Distance to Surrounding Materials

Install location	Rear	Per Side	Top	Notes
Inside an alcove or recess	50 mm	75 mm	200 mm	Included limit screws must be fitted
Outside of alcove or recess	100 mm	200 mm	300 mm	Included limit screws not required

Installation and operating instructions for this stove are available online at www.aradastoves.com.

An approved (BS-EN 50291) and working Carbon Monoxide (CO) alarm should be installed in the same room where the appliance is being fired.

Solution 4 (Series 4)



Solution 4

Ecodesign Ready and with a classic look. This generation of Solution stoves produce the equivalent heat output of previous Solution models whilst using less fuel than ever before. Its multi fuel function will let you burn seasoned wood or solid smokeless fuel and is very easy to control.

Features

- Meets Ecodesign standards for clean burning on both Wood and Solid Fuel
- Suitable for smoke control areas
- Preheated airwash system for clean glass
- 10 year guarantee on the stove body
- Non-smoker paint, available in multiple colours
- Externally controlled riddling grate
- 5 inch top or rear flue outlet
- Optional rear heat shield for reduced distance to non-combustible material

The humble size of this stove makes it ideal for installation not just in the home, but also smaller living spaces such as a canal boat or shepherd hut.



Solution 4



Ideal for smaller living spaces

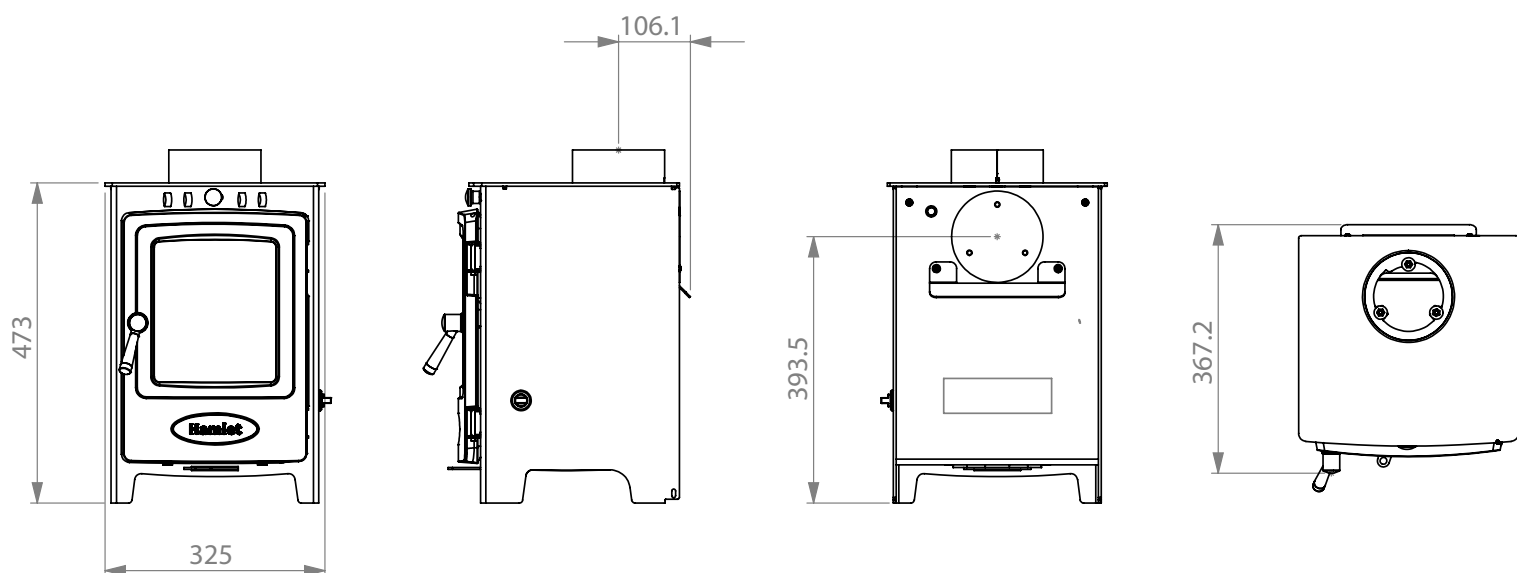
Dimensions

Width	334 mm
Height	473 mm
Depth	387 mm
Ideal log length	200 mm

Optional Extras: Safety Handle / Rear heat shield / Floor fixing kit / Direct air connection



Solution 4 (Series 4)



Dimensions

Width (inc. across canopy and riddle boss)	334 mm
Height	473 mm
Depth	387 mm
Flue Diameter	127 mm
Depth from back to centre of top flue	90 mm
Height to centre of rear flue	393.5 mm
Ideal log length / diameter	200mm / 100mm

Performance

	Wood Fuel	Solid Fuel
Energy Efficiency Class	A+	E
Nett Efficiency	83.1 %	75.5 %
Nominal Output	4.6 kW	4.4 kW
Output Range	3.5 - 6 kW	
Mean Co Emission (@13% O ₂)	0.10 %	0.11 %
DIN+ particulate	28 Nmg/m ³	16 Nmg/m ³
Mean NO _x Emission (@13% O ₂)	113 Nmg/m ³	150 Nmg/m ³
Mean OGC Emission (@13% O ₂)	91 Nmg/m ³	45 Nmg/m ³
Flue Gas Mass Flow	3.7 g/s	3.8 g/s
Flue Gas Temperature	232 °C	300 °C
Typical Fuel load for nominal rated output per hour (kWh/Kg)	0.94 (Seasoned hardwood)	0.70 (MSF Maxibrite)

Features

Stove body type	Freestanding
Ecodesign Ready	Yes
Suitable for smoke control areas	Yes
Suitable for direct air connection	Yes *
Suitable for non-combustible 12mm hearth	Yes
Weight gross (packed kg)	62 Kg
Weight nett (unpacked kg)	58 Kg

Minimum distance to combustibles

	A	B	C
Rear	650 mm	375 mm	225 mm
Side	650 mm	650 mm	650 mm
Max hearth temp.	92 °C	92 °C	92 °C

A = Single Walled Flue, without Rear Heat Shield fitted
 B = Single Walled Flue, with Rear Heat Shield fitted
 C = Twin Walled Flue, with Rear Heat Shield fitted

Direct air spigot location

(when viewing the rear side of the stove)

Horizontal position	Centre
Distance from floor to centre	TBA mm

We recommend this appliance is installed with clearance of 100mm to non-combustible materials and 500mm to combustible beams above the stove.

Installation and operating instructions for this stove are available online at www.aradastoves.com.

* Note: The optional direct air adaptor for this model is not room-sealed and should not be installed on a stove in an air-tight property.

Solution 5 (Series 4)



Solution 5 in optional Raincoat yellow colourway

Ecodesign Ready and with a classic look.

This generation of Solution stoves produces the equivalent heat output of previous Solution models whilst using less fuel than ever before.

This 4.9 kW stove is multi fuel allowing you to burn seasoned wood or solid smokeless fuel and is easy to control. The Solution 5 stove is certain to keep your home warm and cosy.

Features

- Burns wood or solid fuel
- Ecodesign ready, suitable for smoke control areas
- Preheated airwash system for clean glass
- 10 year guarantee on the stove body
- Non-smoker paint, available in multiple colours
- Externally controlled riddling grate
- Top or rear flue outlet
- Optional rear heat shield for reduced distance to non-combustible material

Dimensions

Width	436 mm
Height	551 mm
Depth	387 mm
Ideal log length	300 mm



Solution 5 in standard Midnight black colourway

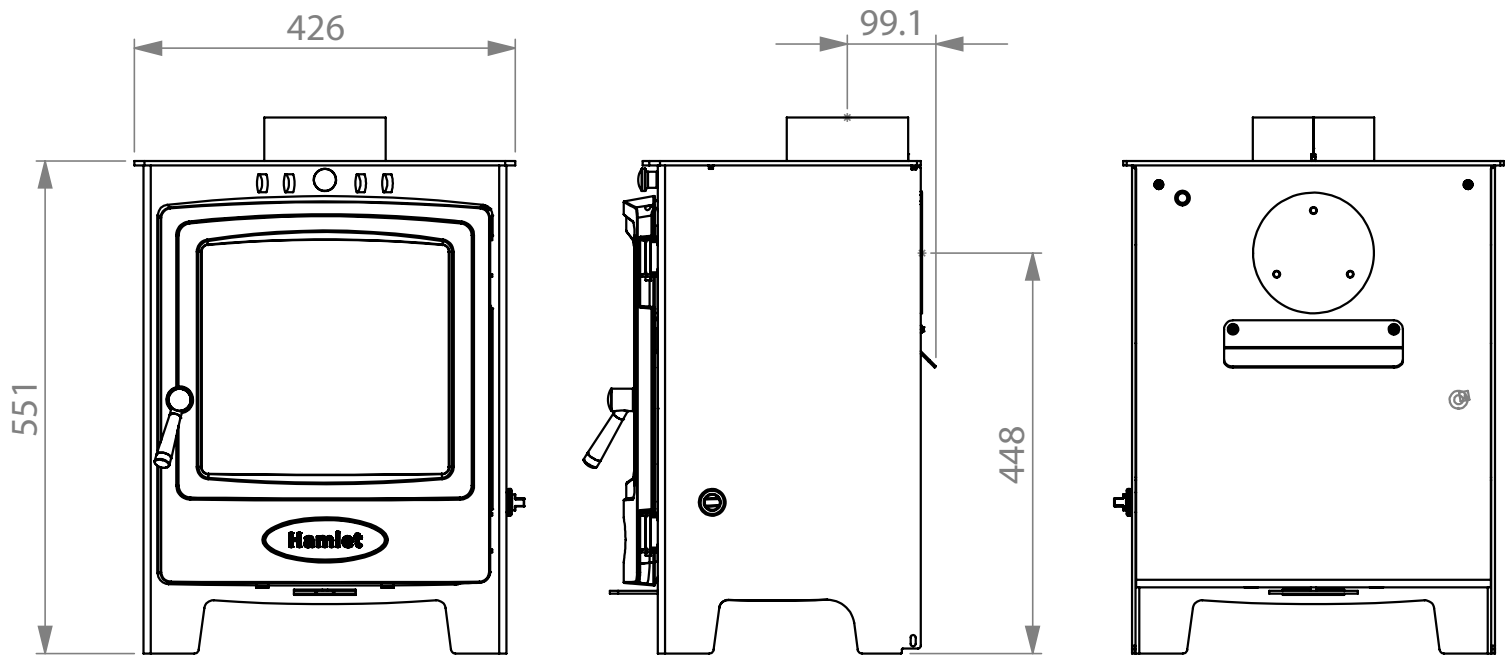


Solution 5 in optional Miami blue colourway

Optional Extras: Safety Handle / Rear heat shield / Floor fixing kit / Direct air connection



Solution 5 (Series 4)



Dimensions

Width (inc. riddle control)	436 mm
Height	551 mm
Depth	387 mm
Flue Diameter	127 mm
Depth from back to centre of top flue	82 mm
Height to centre of rear flue	448 mm
Ideal log length / diameter	300mm / 100mm

Features

Stove body type	Freestanding
Ecodesign Ready	Yes
Suitable for smoke control areas	Yes
Suitable for direct air connection	Yes *
Suitable for non-combustible 12mm hearth	Yes
Weight gross (packed kg)	68.5 Kg
Weight nett (unpacked kg)	63 Kg

Performance

	Wood Fuel	Solid Fuel
Energy Efficiency Class	A	E
Nett Efficiency	80.6 %	79.7 %
Nominal Output	4.9 kW	4.9 kW
Output Range	3.8 - 6.6 kW	
Mean Co Emission (@13% O ₂)	0.09 %	0.11 %
DIN+ particulate	22 Nmg/m ³	33 Nmg/m ³
Mean NO _x Emission (@13% O ₂)	104 Nmg/m ³	132 Nmg/m ³
Mean OGC Emission (@13% O ₂)	67 Nmg/m ³	44 Nmg/m ³
Flue Gas Mass Flow	4.0 g/s	3.8 g/s
Flue Gas Temperature	265 °C	275 °C
Typical Fuel load for nominal rated output per hour (kWh/Kg)	1.10 (Seasoned hardwood)	0.75 (MSF Maxibrite)

Minimum distance to combustibles

	A	B	C
Rear	750 mm	500 mm	350 mm
Side	550 mm	550 mm	550 mm
Max hearth temp.	54 °C	54 °C	58 °C

A = Single Walled Flue, without Rear Heat Shield fitted
 B = Single Walled Flue, with Rear Heat Shield fitted
 C = Twin Walled Flue, with Rear Heat Shield fitted

Direct air spigot location

(when viewing the rear side of the stove)

Horizontal position	Centre
Distance from floor to centre	TBA mm

We recommend this appliance is installed with clearance of 100mm to non-combustible materials and 500mm to combustible beams above the stove.

Installation and operating instructions for this stove are available online at www.aradastoves.com.

* Note: The optional direct air adaptor for this model is not room-sealed and should not be installed on a stove in an air-tight property.

Solution 5 Inset (Series 4)



Solution 5 Inset Series 4

Ecodesign Ready and with a classic look. This generation of Solution stoves produces the equivalent heat output of previous Solution models whilst using less fuel than ever before.

This 4.9 kW stove is multi fuel allowing you to burn seasoned wood or solid smokeless fuel and is easy to control. The Solution 5 Inset stove is certain to keep your home warm and cosy.

Dimensions

Width	517 mm
Height	580 mm
Depth	469 mm
Ideal log length	200 mm

Features

- Burns wood or solid fuel
- Ecodesign ready, suitable for smoke control areas
- Preheated airwash system for clean glass
- 10 year guarantee on the stove body
- Non-smoker paint, available in multiple colours
- Externally controlled riddling grate

Optional Extra: Safety Handle



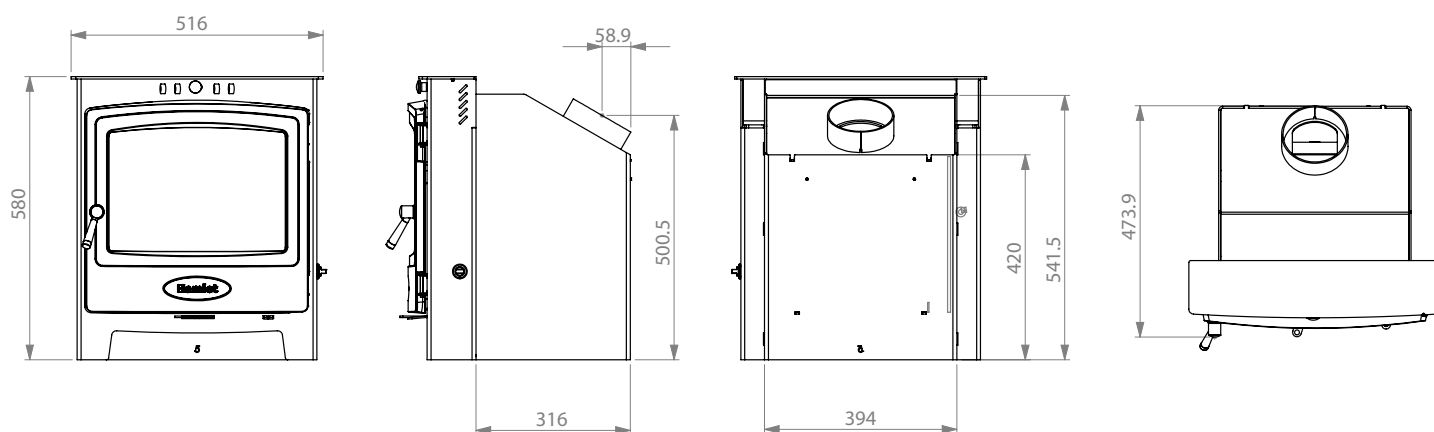
Solution 5 Inset



Clever design that's easy to use



Solution 5 Inset (Series 4)



Dimensions

Width (across canopy and riddle boss)	517 mm
Height	580 mm
Depth (from rear to handle boss)	469 mm
Width into opening	394 mm
Height into opening	544 mm
Depth into opening	316 mm
Depth of front fascia	100 mm
Flue Diameter	127 mm
Flue Outlet Angle from vertical	30 °
Ideal log length / diameter	200mm / 100mm

Performance

	Wood Fuel	Solid Fuel
Energy Efficiency Class	A	E
Nett Efficiency	79.9 %	76 %
Nominal Output	5 kW	5 kW
Output Range	4.1 - 6.7 kW	
Mean Co Emission (@13% O ₂)	0.08 %	0.07 %
DIN+ particulate	14 Nmg/m ³	12 Nmg/m ³
Mean NO _x Emission (@13% O ₂)	97 Nmg/m ³	138 Nmg/m ³
Mean OGC Emission (@13% O ₂)	79 Nmg/m ³	30 Nmg/m ³
Flue Gas Mass Flow	4.1 g/s	4.1 g/s
Flue Gas Temperature	274 °C	323 °C
Typical Fuel load for nominal rated output per hour (kWh/Kg)	1.44 (Seasoned hardwood)	0.76 (MSF Maxibrite)

Features

Stove body type	Inset
Ecodesign Ready	Yes
Suitable for smoke control areas	Yes
Suitable for direct air connection	No
Suitable for non-combustible 12mm hearth	Yes
Weight gross (packed kg)	89 Kg
Weight nett (unpacked kg)	83 Kg

Minimum distance to combustibles

Top	250 mm
Side	175 mm
Max hearth temp.	66 °C

We recommend this appliance is installed with clearance of 100mm to non-combustible materials.

Installation and operating instructions for this stove are available online at www.aradastoves.com.

Solution 5 Compact (Series 4)



Solution 5 Compact Series 4

Ecodesign Ready and with a classic look. This generation of Solution stove produce the equivalent heat output of previous Solution models whilst using less fuel than ever before. The Solution 5 Compact stove is certain to keep your home warm and cosy.

Dimensions

Width	397 mm
Height	551 mm
Depth	387 mm
Ideal log length	200 mm

Features

- Meets Ecodesign standards for clean burning on both Wood and Solid Fuel
- Suitable for smoke control areas
- Preheated airwash system for clean glass
- 10 year guarantee on the stove body
- Non-smoker paint, available in seven colours
- Externally controlled riddling grate
- Top or rear flue outlet
- Optional rear heat shield for reduced distance to non-combustible material

This slender-bodied 4.8 kW stove is multi fuel allowing you to burn seasoned wood or solid smokeless fuel and is easy to control.



Many colour options available
(Spice Red shown)

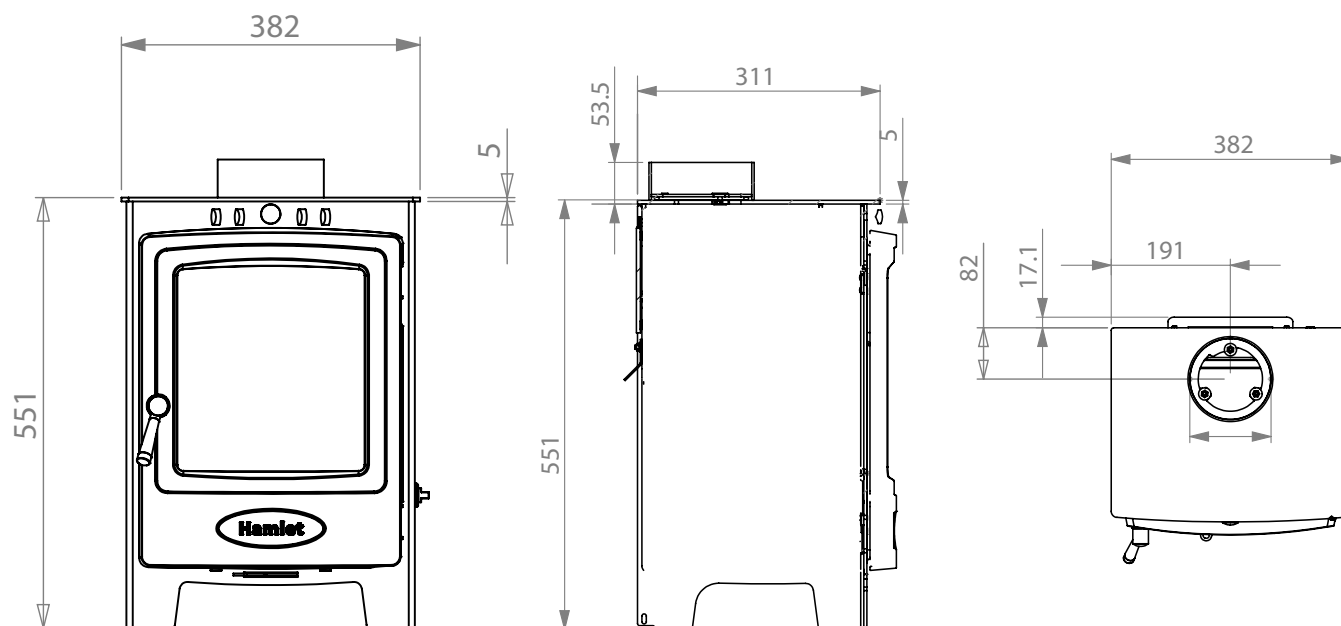


Stylish cast iron door

Optional Extras: Safety Handle / Rear heat shield / Floor fixing kit / Direct air connection



Solution 5 Compact (Series 4)



Dimensions

Width (inc. riddling control)	397 mm
Height	551 mm
Depth	387 mm
Flue Diameter	127 mm
Depth from back to centre of top flue	82 mm
Height to centre of rear flue	448 mm
Ideal log length / diameter	200mm / 100mm

Features

Stove body type	Freestanding
Ecodesign Ready	Yes
Suitable for smoke control areas	Yes
Suitable for direct air connection	Yes *
Suitable for non-combustible 12mm hearth	Yes
Weight gross (packed kg)	63 Kg
Weight nett (unpacked kg)	59 Kg

Performance

	Wood Fuel	Solid Fuel
Energy Efficiency Class	A	E
Nett Efficiency	81 %	79.9 %
Nominal Output	4.8 kW	4.8 kW
Output Range	3.9 - 6.1 kW	
Mean Co Emission (@13% O ₂)	0.12 %	0.12 %
DIN+ particulate	11 Nmg/m ³	18 Nmg/m ³
Mean NO _x Emission (@13% O ₂)	60 Nmg/m ³	101 Nmg/m ³
Mean OGC Emission (@13% O ₂)	79 Nmg/m ³	56 Nmg/m ³
Flue Gas Mass Flow	3.9 g/s	3.5 g/s
Flue Gas Temperature	259 °C	275 °C
Typical Fuel load for nominal rated output per hour (kWh/Kg)	1.10 (Seasoned hardwood)	0.75 (MSF Maxibrite)

Minimum distance to combustibles

	A	B	C
Rear	700 mm	400 mm	250 mm
Side	500 mm	700 mm	700 mm
Max hearth temp.	53.9 °C	98 °C	98 °C

A = Single Walled Flue, without Rear Heat Shield fitted
 B = Single Walled Flue, with Rear Heat Shield fitted
 C = Twin Walled Flue, with Rear Heat Shield fitted

Direct air spigot location

(when viewing the rear side of the stove)

Horizontal position	Centre
Distance from floor to centre	TBA mm

We recommend this appliance is installed with clearance of 100mm to non-combustible materials and 500mm to combustible beams above the stove.

Installation and operating instructions for this stove are available online at www.aradastoves.com.

* Note: The optional direct air adaptor for this model is not room-sealed and should not be installed on a stove in an air-tight property.

Solution 5 Widescreen (Series 4)



Solution 5 Widescreen S4 shown in optional Atlantic blue colourway

Ecodesign Ready and with a classic look. This generation of Solution stoves produces the equivalent heat output of previous Solution models whilst using less fuel than ever before. This 4.9 kW stove is multi fuel allowing you to burn seasoned wood or solid smokeless fuel and is easy to control.

Dimensions

Width	519 mm
Height	551 mm
Depth	387 mm
Ideal log length	330 mm

Features

- Meets Ecodesign standards for clean burning on both Wood and Solid Fuel
- Suitable for smoke control areas
- Preheated airwash system for clean glass
- 10 year guarantee on the stove body
- Non-smoker paint, available in multiple colours
- Externally controlled riddling grate
- Top or rear flue outlet
- Optional rear heat shield for reduced distance to non-combustible material

Its generously-sized flame view window increases the enjoyment to be had from a lit stove. The Solution 5 Widescreen stove is certain to keep your home warm and cosy.



In standard Midnight black

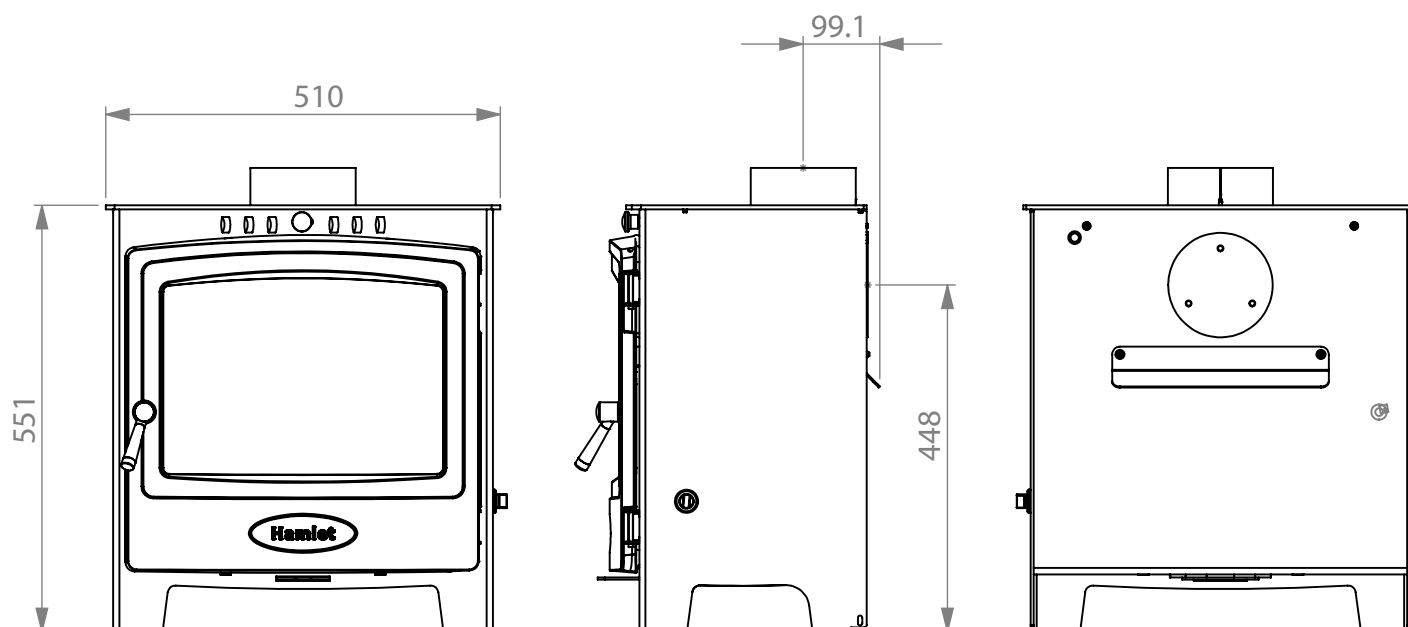


Multiple colour options

Optional Extras: Safety Handle / Rear heat shield / Floor fixing kit / Direct air connection



Solution 5 Widescreen (Series 4)



Dimensions

Width (inc. riddling control)	518.5 mm
Height	551 mm
Depth	387 mm
Flue Diameter	127 mm
Depth from back to centre of top flue	82 mm
Height to centre of rear flue	448 mm
Ideal log length / diameter	330mm / 100mm

Performance

	Wood Fuel	Solid Fuel
Energy Efficiency Class	A+	E
Nett Efficiency	82.5 %	79.4 %
Nominal Output	4.9 kW	4.9 kW
Output Range	4.4 - 6.9 kW	
Mean Co Emission (@13% O ₂)	0.12 %	0.05 %
DIN+ particulate	13 Nmg/m ³	25 Nmg/m ³
Mean NO _x Emission (@13% O ₂)	84 Nmg/m ³	121 Nmg/m ³
Mean OGC Emission (@13% O ₂)	113 Nmg/m ³	30 Nmg/m ³
Flue Gas Mass Flow	4.0 g/s	3.3 g/s
Flue Gas Temperature	240 °C	291 °C
Typical Fuel load for nominal rated output per hour (kWh/Kg)	1.17 (Seasoned hardwood)	0.73 (MSF Maxibrite)

We recommend this appliance is installed with clearance of 100mm to non-combustible materials and 500mm to combustible beams above the stove.

Installation and operating instructions for this stove are available online at www.aradastoves.com.

Features

Stove body type	Freestanding
Ecodesign Ready	Yes
Suitable for smoke control areas	Yes
Suitable for direct air connection	Yes *
Suitable for non-combustible 12mm hearth	Yes
Weight gross (packed kg)	80 Kg

Minimum distance to combustibles

	A	B	C
Rear	900 mm	450 mm	350 mm
Side	550 mm	550 mm	500 mm
Max hearth temp.	94 °C	94 °C	94 °C

A = Single Walled Flue, without Rear Heat Shield fitted

B = Single Walled Flue, with Rear Heat Shield fitted

C = Twin Walled Flue, with Rear Heat Shield fitted

Direct air spigot location

(when viewing the rear side of the stove)

Horizontal position	Centre
Distance from floor to centre	TBA mm

* Note: The optional direct air adaptor for this model is not room-sealed and should not be installed on a stove in an air-tight property.

Solution 7 (Series 4)



Solution 7 Series 4

Ecodesign Ready and with a classic look. This generation of Solution stoves produce the equivalent heat output of previous Solution models whilst using less fuel than ever before.

This 7 kW stove is multi fuel allowing you to burn seasoned wood or solid smokeless fuel and is easy to control. The Solution 7 stove is certain to keep your home warm and cosy.

Dimensions

Width	519 mm
Height	551 mm
Depth	387 mm
Ideal log length	330 mm

Features

- Meets Ecodesign standards for clean burning on both Wood and Solid Fuel
- Suitable for smoke control areas
- Preheated airwash system for clean glass
- 10 year guarantee on the stove body
- Non-smoker paint, available in seven colours
- Externally controlled riddling grate
- Top or rear flue outlet
- Optional rear heat shield for reduced distance to non-combustible material



Solution 7

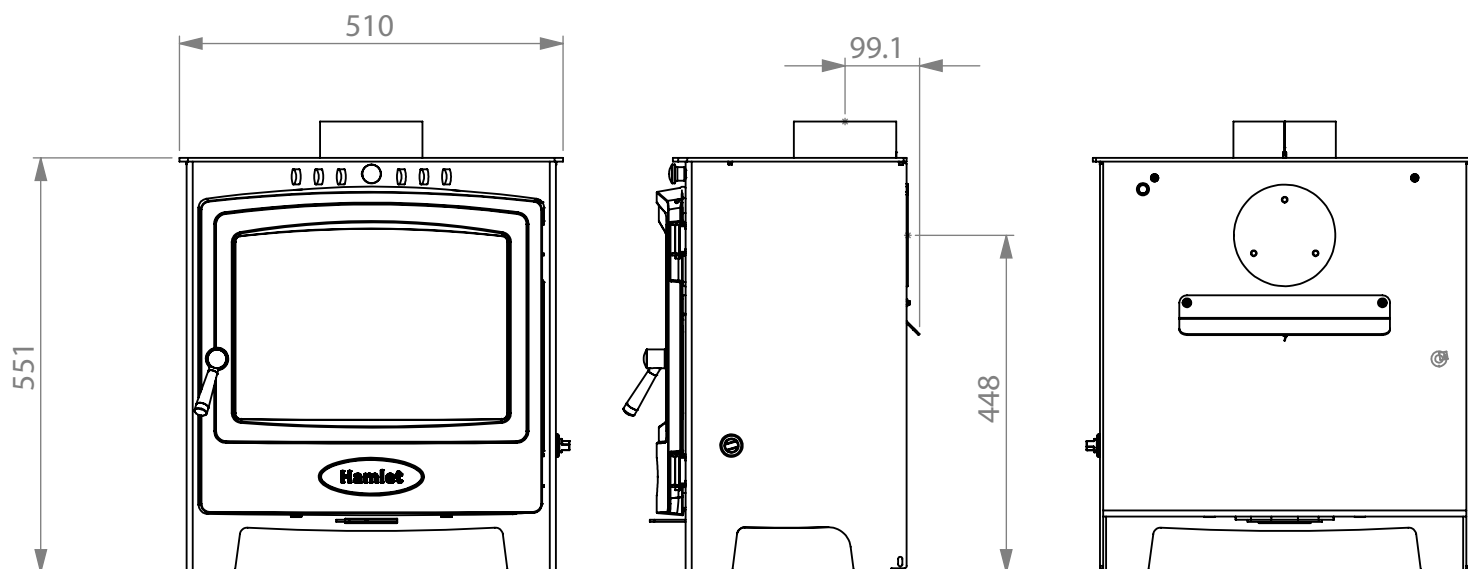


Multiple colour options available (Atlantic blue shown)

Optional Extras: Safety Handle / Rear heat shield / Floor fixing kit / Direct air connection



Solution 7 (Series 4)



Dimensions

Width (inc. riddle control)	518.5 mm
Height	551 mm
Depth	387 mm
Flue Diameter	127 mm
Depth from back to centre of top flue	82 mm
Height to centre of rear flue	448 mm
Ideal log length / diameter	330mm / 100mm

Features

Stove body type	Freestanding
Ecodesign Ready	Yes
Suitable for smoke control areas	Yes
Suitable for direct air connection	Yes *
Suitable for non-combustible 12mm hearth	Yes
Weight gross (packed kg)	80 Kg

Performance

	Wood Fuel	Solid Fuel
Energy Efficiency Class	A	D
Nett Efficiency	77.9 %	81.5 %
Nominal Output	7.0 kW	7.1 kW
Output Range	5.2 - 8.1 kW	
Mean Co Emission (@13% O ₂)	0.12 %	0.06 %
DIN+ particulate	18 Nmg/m ³	24 Nmg/m ³
Mean NO _x Emission (@13% O ₂)	109 Nmg/m ³	120 Nmg/m ³
Mean OGC Emission (@13% O ₂)	107 Nmg/m ³	42 Nmg/m ³
Flue Gas Mass Flow	6.2 g/s	4.3 g/s
Flue Gas Temperature	291 °C	326 °C
Typical Fuel load for nominal rated output per hour (kWh/Kg)	1.55 (Seasoned hardwood)	1.0 (MSF Maxibrite)

Minimum distance to combustibles

	A	B	C
Rear	650 mm	500 mm	350 mm
Side	650 mm	900 mm	650 mm
Max hearth temp.	53 °C	53 °C	53 °C

A = Single Walled Flue, without Rear Heat Shield fitted
 B = Single Walled Flue, with Rear Heat Shield fitted
 C = Twin Walled Flue, with Rear Heat Shield fitted

Direct air spigot location

(when viewing the rear side of the stove)

Horizontal position	Centre
Distance from floor to centre	TBA mm

We recommend this appliance is installed with clearance of 100mm to non-combustible materials. Installation and operating instructions for this stove are available online at www.aradastoves.com.

* Note: The optional direct air adaptor for this model is not room-sealed and should not be installed on a stove in an air-tight property.

Solution 7 Inset (Series 4)



Solution 7 Inset Series 4

Ecodesign Ready and with a classic look. This generation of Solution stoves produces the equivalent heat output of previous Solution models whilst using less fuel than ever before.

Dimensions

Width	517 mm
Height	580 mm
Depth	469 mm
Ideal log length	300 mm

This 7.1 kW stove is multi fuel allowing you to burn seasoned wood or solid smokeless fuel and is easy to control. The Solution 7 Inset stove is certain to keep your home warm and cosy.

Features

- Ecodesign, burns wood or solid fuel
- Approved for smoke control areas
- Preheated airwash system for clean glass
- 10 year guarantee on the stove body
- Non-smoker paint, available in multiple colours
- Externally controlled riddling grate



Solution 7 Inset

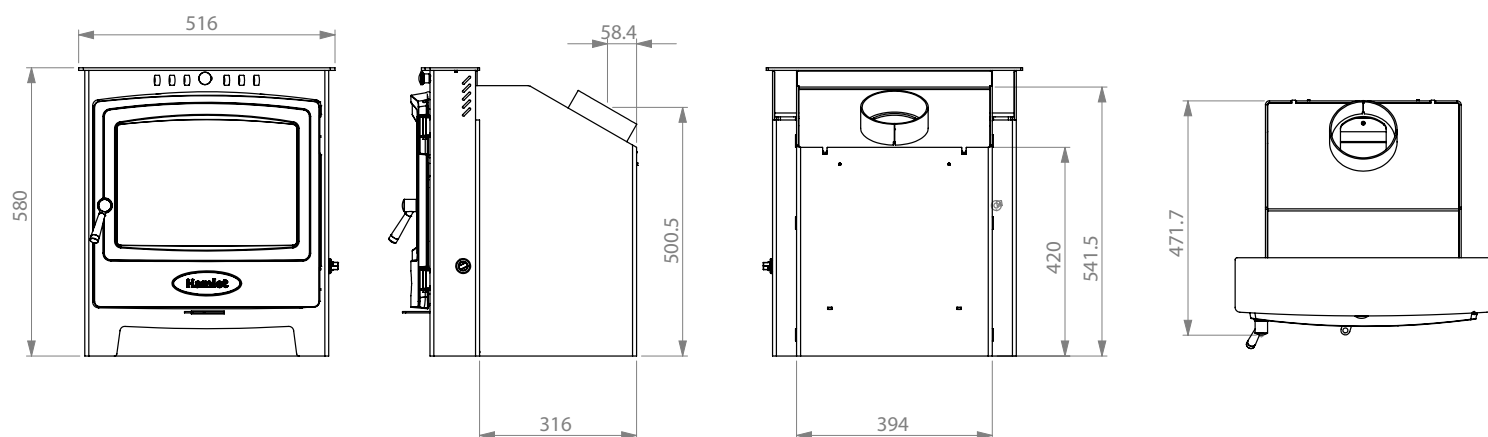


Clever design that's easy to use

Optional Extra: Safety Handle



Solution 7 Inset (Series 4)



Dimensions

Width (across canopy and riddle boss)	517 mm
Height	580 mm
Depth (from rear to handle boss)	469 mm
Width into opening	394 mm
Height into opening	544 mm
Depth into opening	316 mm
Depth of front fascia	100 mm
Flue Diameter	127 mm
Flue Outlet Angle from vertical	30 °
Ideal log length / diameter	300mm / 100mm

Minimum distance to combustibles

Top	200 mm
Side	175 mm
Max hearth temp.	70 °C

Features

Stove body type	Freestanding
Ecodesign Ready	Yes
Suitable for smoke control areas	Yes
Suitable for direct air connection	No
Suitable for non-combustible 12mm hearth	Yes
Weight gross (packed kg)	91 Kg
Weight nett (unpacked kg)	85 Kg

Performance

	Wood Fuel	Solid Fuel
Energy Efficiency Class	A	E
Nett Efficiency	75.4 %	75.8 %
Nominal Output	7.1 kW	7.1 kW
Output Range	5 - 8.6 kW	
Mean Co Emission (@13% O ₂)	0.11 %	0.08 %
DIN+ particulate	27 Nmg/m ³	27 Nmg/m ³
Mean NO _x Emission (@13% O ₂)	95 Nmg/m ³	159 Nmg/m ³
Mean OGC Emission (@13% O ₂)	92 Nmg/m ³	43 Nmg/m ³
Flue Gas Mass Flow	6.23 g/s	6.4 g/s
Flue Gas Temperature	326 °C	332 °C
Typical Fuel load for nominal rated output per hour (kWh/Kg)	1.62 (Seasoned hardwood)	1.08 (MSF Maxibrite)

We recommend this appliance is installed with clearance of 100mm to non-combustible materials.

Installation and operating instructions for this stove are available online at www.aradastoves.com.

ARADA

DEVON

COLOUR OPTIONS

Metallics & The Bold Edit

Robust and easy to clean

Our paints are resistant to very high temperatures and easy to keep clean.

Non-smoker paint

There's no curing time with any of our paints and no unpleasant curing odour either.

Also available in Black

If colour is not for you, our stoves will always be available in Midnight Black as standard.

METALLICS

Express yourself with colour

Seize the opportunity to show your individuality with our four metallic shades, guaranteed to make an impactful statement in your living space.



MIST



CHESTNUT



ATLANTIC



SPICE



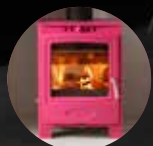
RAINCOAT

THE BOLD EDIT

A unique new look for stoves

THE BOLD EDIT is a palette of four exciting shades that are exclusive to Arada.

Striking and happiness inducing, with a major side of dopamine, these shades will no doubt inspire and inject fun for those creating an interior with serious punch.



FLAMINGO



MIAMI



PEAPOD

* THE BOLD EDIT colours are not recommended for stoves over 7kW, and not suitable for painting single-walled flues

ARADA

DEVON

COLOUR OPTIONS

The Earth Collection

Heritage colours inspired by nature



TERRACOTTA



CLAY

Organic, rich and luxurious, the Earth Collection is a series of six sophisticated shades that are defined by the striking colour palette of the natural world.

With the aim to inspire, the warm tones are design-led and impactful, while remaining classic and adaptable to suit any interior.



PINE



GRAPHITE



PEBBLE



STRAW

* THE EARTH COLLECTION colours are not recommended for stoves over 7kW, and not suitable for painting single-walled flues