



arada
— stoves —

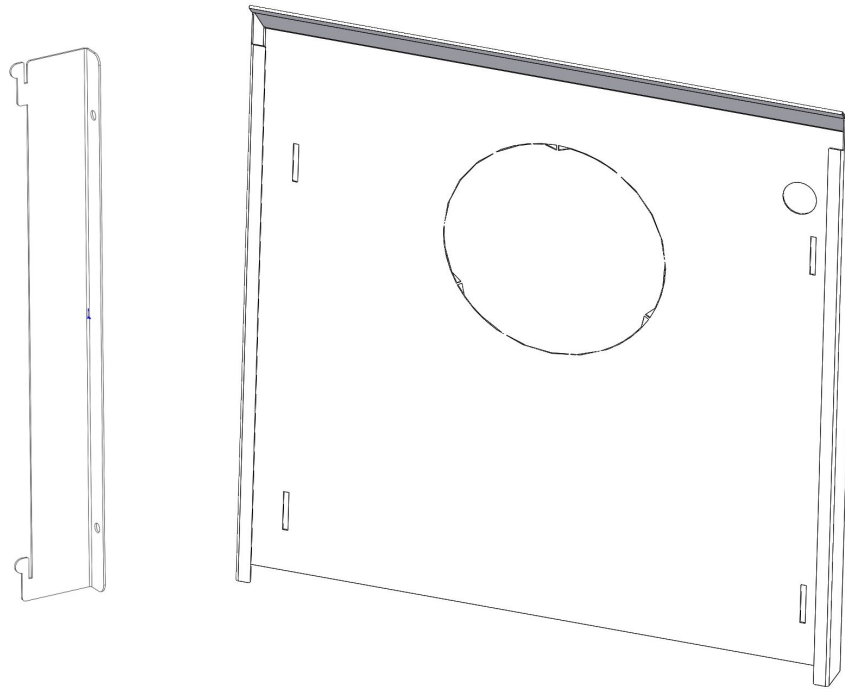
**OPTIONAL
HEAT SHIELD KIT
FITTING GUIDE**

EN13240:2011 +A2:2004

Optional Accessory Instructions

1. Contents Of Kit :

2 no.
Heat Shield
Mount Bracket
(Stainless Steel—
Unpainted)



1 no. Heat Shield (Stainless Steel—Unpainted)

2. Warnings



IMPORTANT—Please ensure the appliance is cold and unlit before commencing fitting this accessory kit.

Please refer to the main instruction booklet, relevant to your stove, for guidance on the installation and operation of the appliance.

Arada Ltd will not be responsible for any consequential or incidental loss or injury however caused.

Please note, this accessory kit can only be fitted **prior** to the appliance (stove) being installed and connected to the flue system, within the property.

When handling the components of the kit, it is recommended to wear suitable gloves to prevent hand injuries.

Optional Accessory Instructions

3. Fitting Procedure

Before starting this process, please ensure that the stove is cold and unlit

Step 1 : Working on the rear of the appliance, remove the 4x screw, indicated in figure 1.

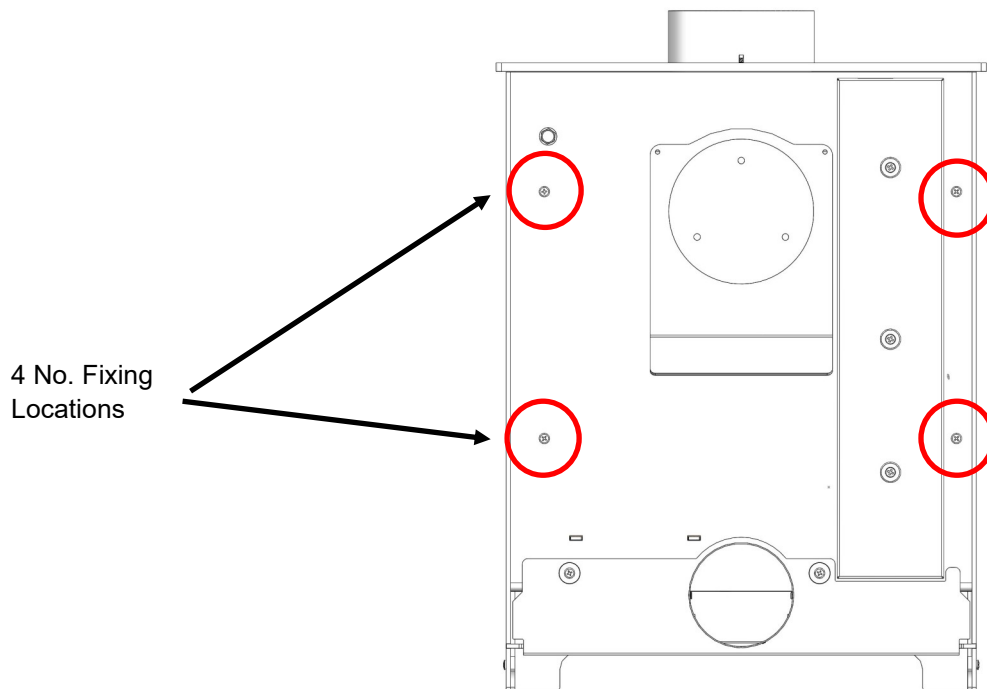


Figure 1. Fixing Locations

Step 2 : Take one of the mounting brackets and fix in place using 2no. Of the screws removed in step 1. See figure 2.

Please note the orientation of the bracket

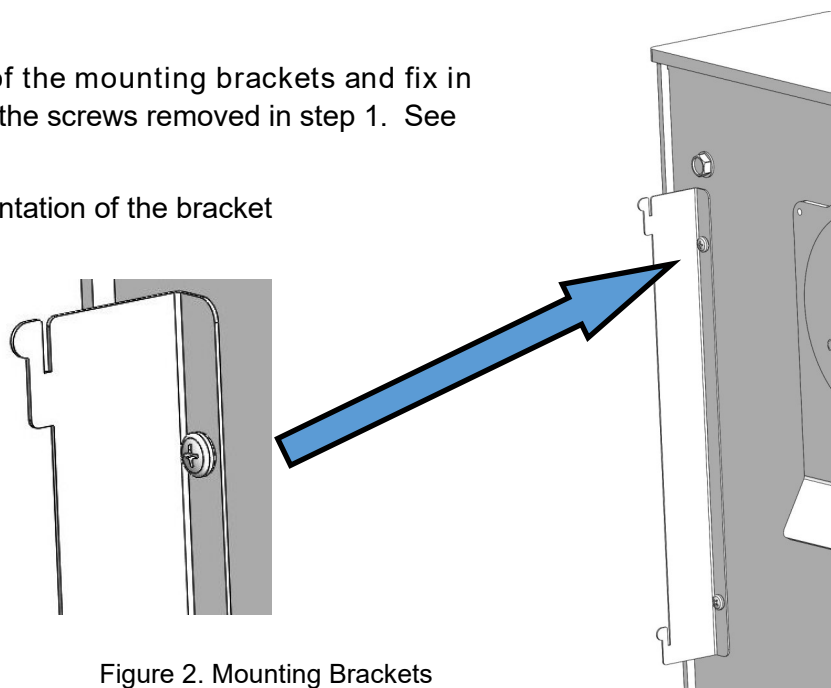


Figure 2. Mounting Brackets

Optional Accessory Instructions

Step 3 : Repeat step 2 for the remaining mounting bracket.

Step 4 : Take the heat shield and position the mounting slots over the corresponding lugs on each side mounting bracket. Gently engage the lugs and push down, to locate the heat shield onto the mounting brackets as shown in figure 3.

Step 5 : With the heat shield fitted, please observe the revised distance to combustible materials, as stated in the instruction manual (BK 730).

Flue Pressure Test Point Location.
This can be accessed whilst the
heat shield is in situ.

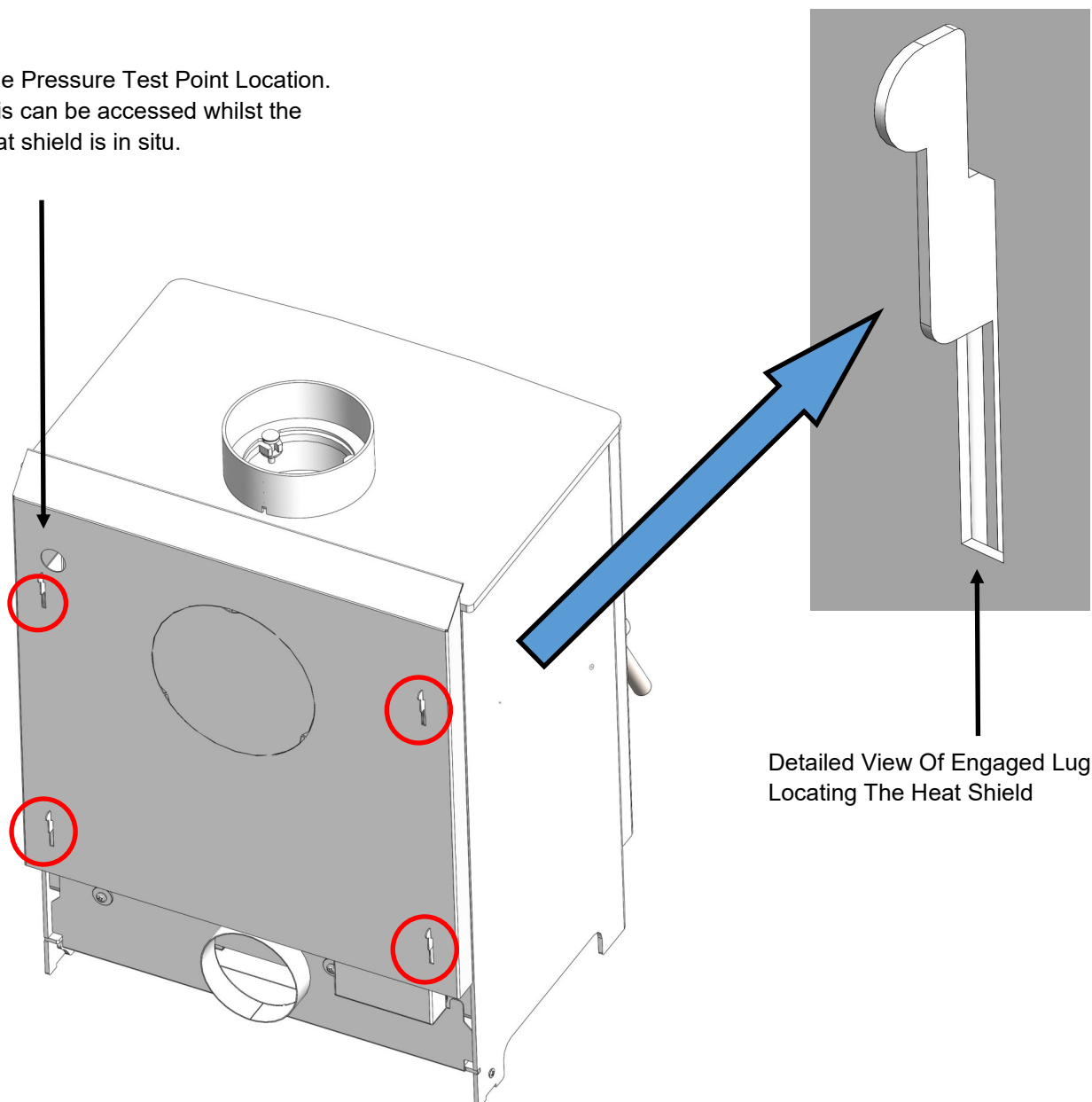


Figure 3. Heat Shield Layout