

Technical Guide

Replacing Stove Door Rope : 14mm



TECHNICAL GUIDE—Replacing Stove Door Rope : 14mm

PLEASE NOTE : This technical guide is applicable for the following :

All Appliances Using 14mm Diameter Rope (Hoxton & M-Series)



WARNING : HEALTH & SAFETY

- Please ensure the appliance is cold and unlit before commencing fitting the replacement door rope seal.
- Competent persons should only undertake the work detailed in these instructions.
- Please refer to the main instruction booklet, relevant to your stove, for guidance on the installation and operation of the appliance.
- Arada Ltd will not be responsible for any consequential or incidental loss or injury however caused.
- Please consult Health & Safety guidelines for advice on handling heavy and / or large items.
- When lifting, we recommend you always obtain assistance.
- If when manual handling, keep the heaviest load close to the body for as long as possible, good posture is important, face the load to be lifted, bend your knees, ensuring your back is kept straight, ensure a firm grip. Do not twist when you lift.
- When handling glass components, it is recommended to wear suitable gloves and eye protection to prevent hand and eye injuries.

Contents Of Kit (ARA 065):



Rope Seal



**Silicone Rope
Adhesive**

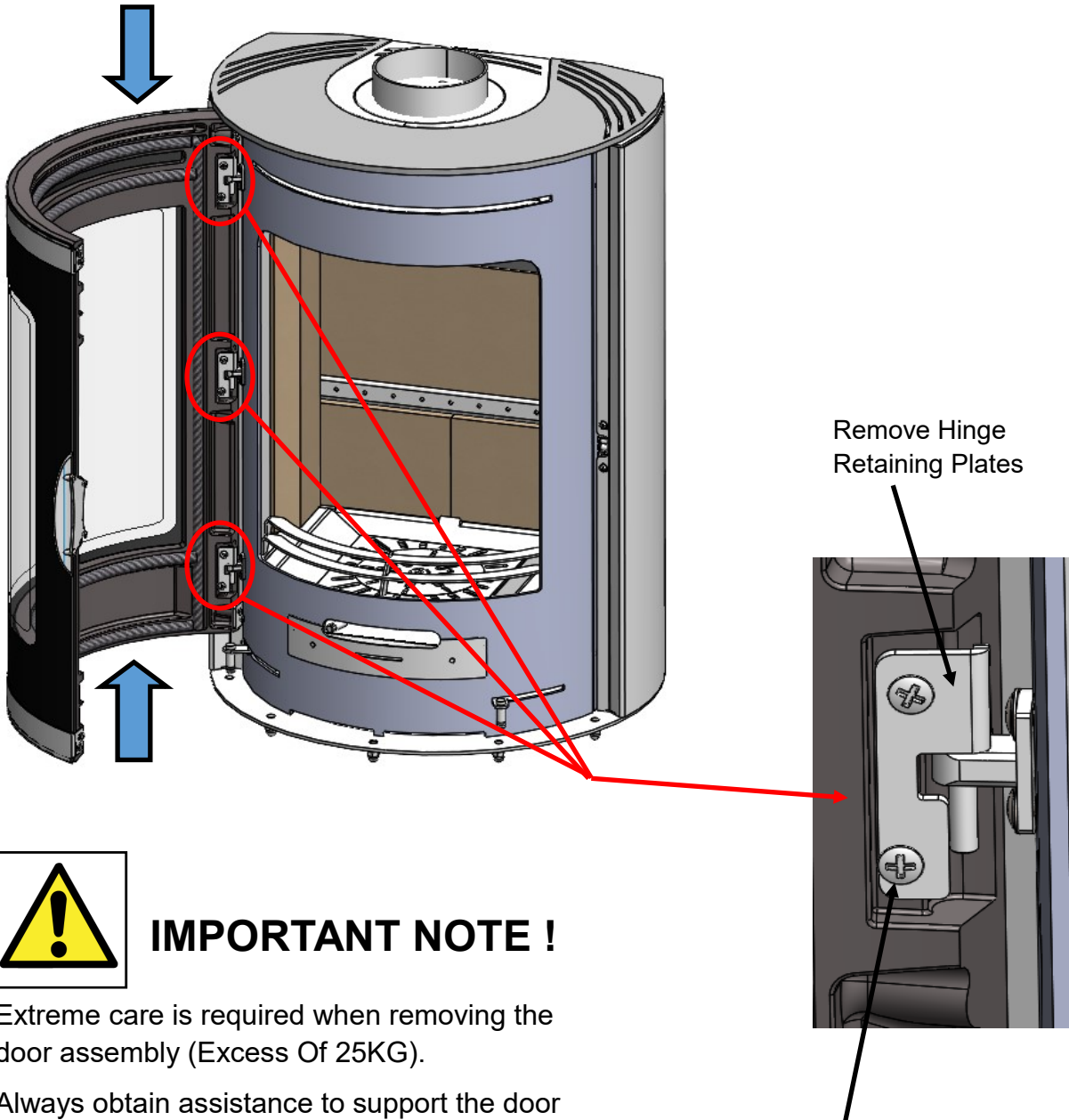


Tape

STAGE 1:

Hoxton stove models only, fully open the fire door.

Obtain assistance of a second person to hold and support the door. Remove the 3x hinge retaining plates and screws. Lift the door assembly clear from hinges.



IMPORTANT NOTE !

Extreme care is required when removing the door assembly (Excess Of 25KG).

Always obtain assistance to support the door (Blue arrows) before removing the 3x hinge retaining plates and removing the door assembly from the stove body.

TECHNICAL GUIDE—Replacing Stove Door Rope : 14mm

STAGE 2:

Hoxton stove models only, lay the door onto a flat work surface, face down, so that the rear of the door is facing you.

The working surface should be protected with a suitably soft material, such as an old towel or dust sheet to avoid scratches and damage to the glass / trims.

Position 2x pieces of approximately 75mm high pieces of wood down each length of the door as shown below.

This will prevent the door assembly from moving when working on the rear.



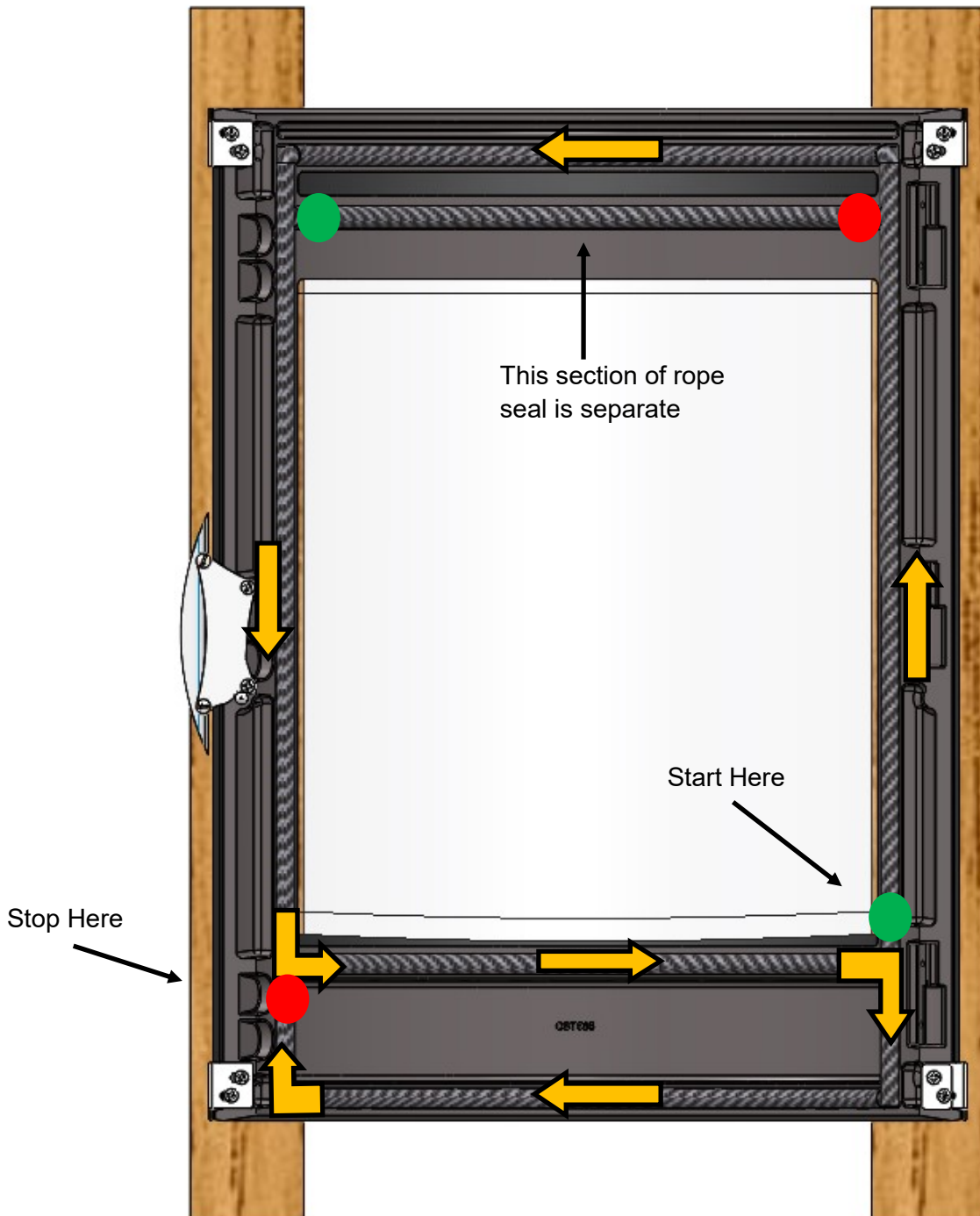
STAGE 3:

Hoxton stove models only, take note of the layout of the old rope, then remove it from the door.

Using a wire brush or scraper, it is important to remove all the old adhesive or flaky paint, to ensure a sound adhesive joint.

STAGE 4:

Hoxton stove models only, please see below for the layout on the start and end of the rope seal.



Loosely lay the length of rope along the channel in the rear of the door where it will sit, ensuring that it is not stretched.

At the end joint, mark where you will need to cut.

TECHNICAL GUIDE—Replacing Stove Door Rope : 14mm

STAGE 5:

All stove models, cut a strip of the tape, approximately 65mm long and remove the protective backing.

Apply the strip of tape centrally about the mark on the rope seal taken in Stage 4. Wrap the tape around the rope seal.

This will prevent the rope seal ends from fraying apart.

Cut through both the tape and rope as shown below.



STAGE 6:

Hoxton stove models only, follow the rope layout as shown on page 5.

Apply a 5—10 mm wide bead of silicone adhesive, into the rope channel within the door casting.

Gently press the pre-cut length of rope, onto the adhesive, taking care not to stretch the rope seal.



Allow at least a minimum of 12 hours, for the adhesive to cure, before re-fitting the stove door .

If extra adhesive is used, increase the drying time.

STAGE 7:

Hoxton stove models only, re-fit the door assemble, in the reversal of Stage 1.

With the door in place, check the closing of the latch and soundness of the door seal against the stove body.

DO NOT RELIGHT THE STOVE, for a further 12 hours after refitting the door.

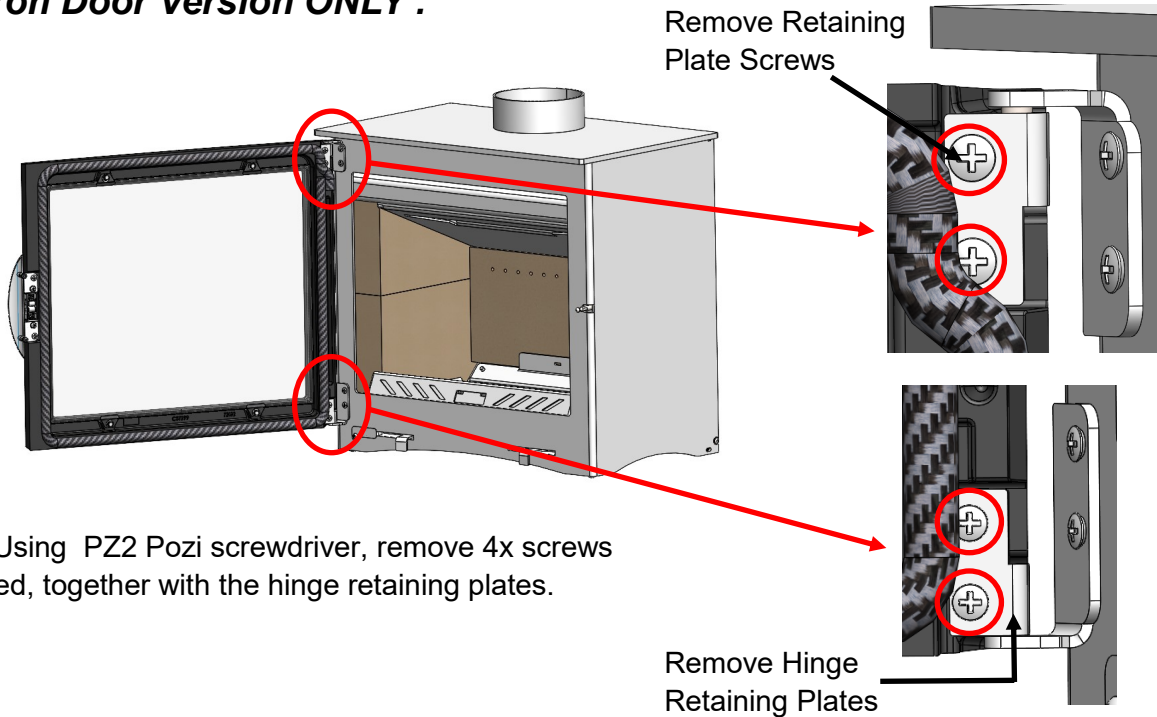
STAGE 8:

M-Series stove models only, fully open the fire door.

Identification Of M-Series Door Version & Removal

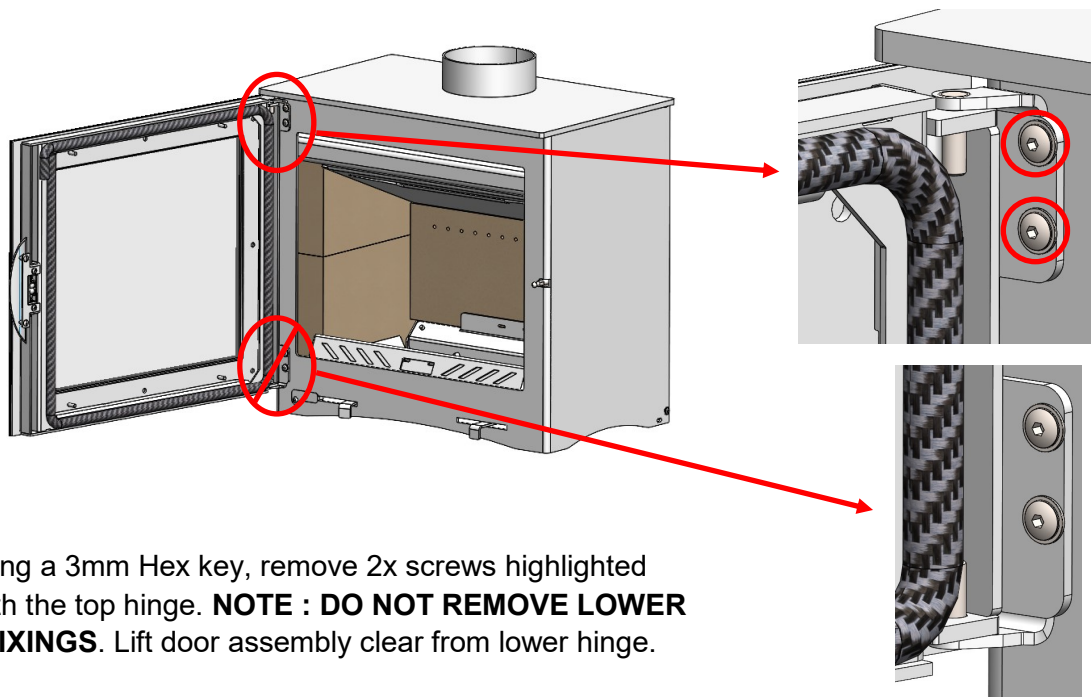
Carefully support the door, from underneath or obtain additional assistance and follow below, depending upon the door version of the stove being worked upon.

Cast Iron Door Version ONLY :



NOTE : Using PZ2 Pozi screwdriver, remove 4x screws highlighted, together with the hinge retaining plates.

Steel & Glass Door Version ONLY :



NOTE : Using a 3mm Hex key, remove 2x screws highlighted together with the top hinge. **NOTE : DO NOT REMOVE LOWER HINGE & FIXINGS.** Lift door assembly clear from lower hinge.

TECHNICAL GUIDE—Replacing Stove Door Rope : 14mm

STAGE 9:

M-Series stove models only, lay the door onto a flat work surface, face down, so that the rear of the door is facing you.

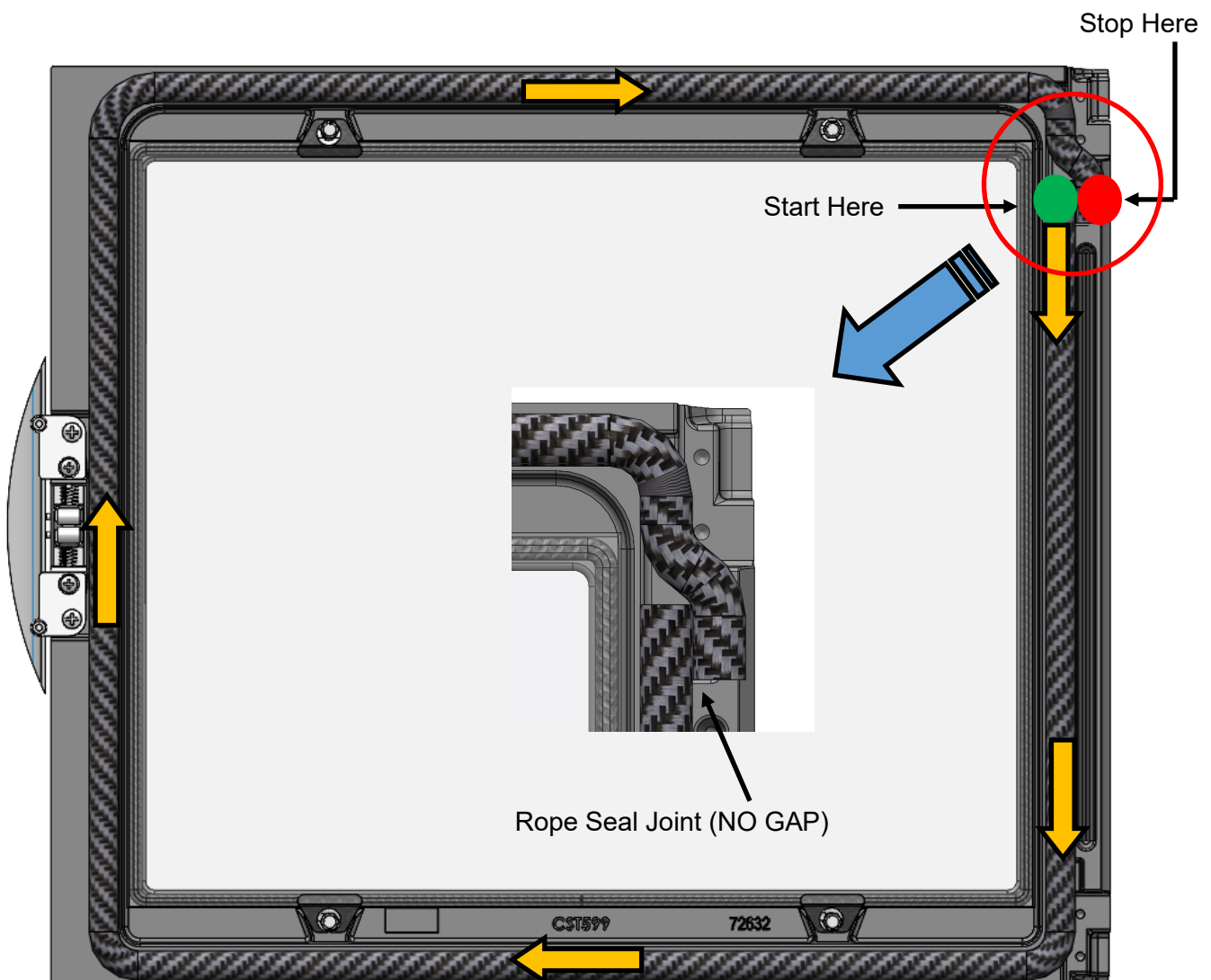
The working surface should be protected with a suitably soft material, such as an old towel or dust sheet to avoid scratches and damage to the glass / trims / door casting.

Take note of the layout of the old rope seal, then remove it from the door.

Using a wire brush or scraper, it is important to remove all the old adhesive or flaky paint, to ensure a sound adhesive joint.

Cast Iron Door Version ONLY :

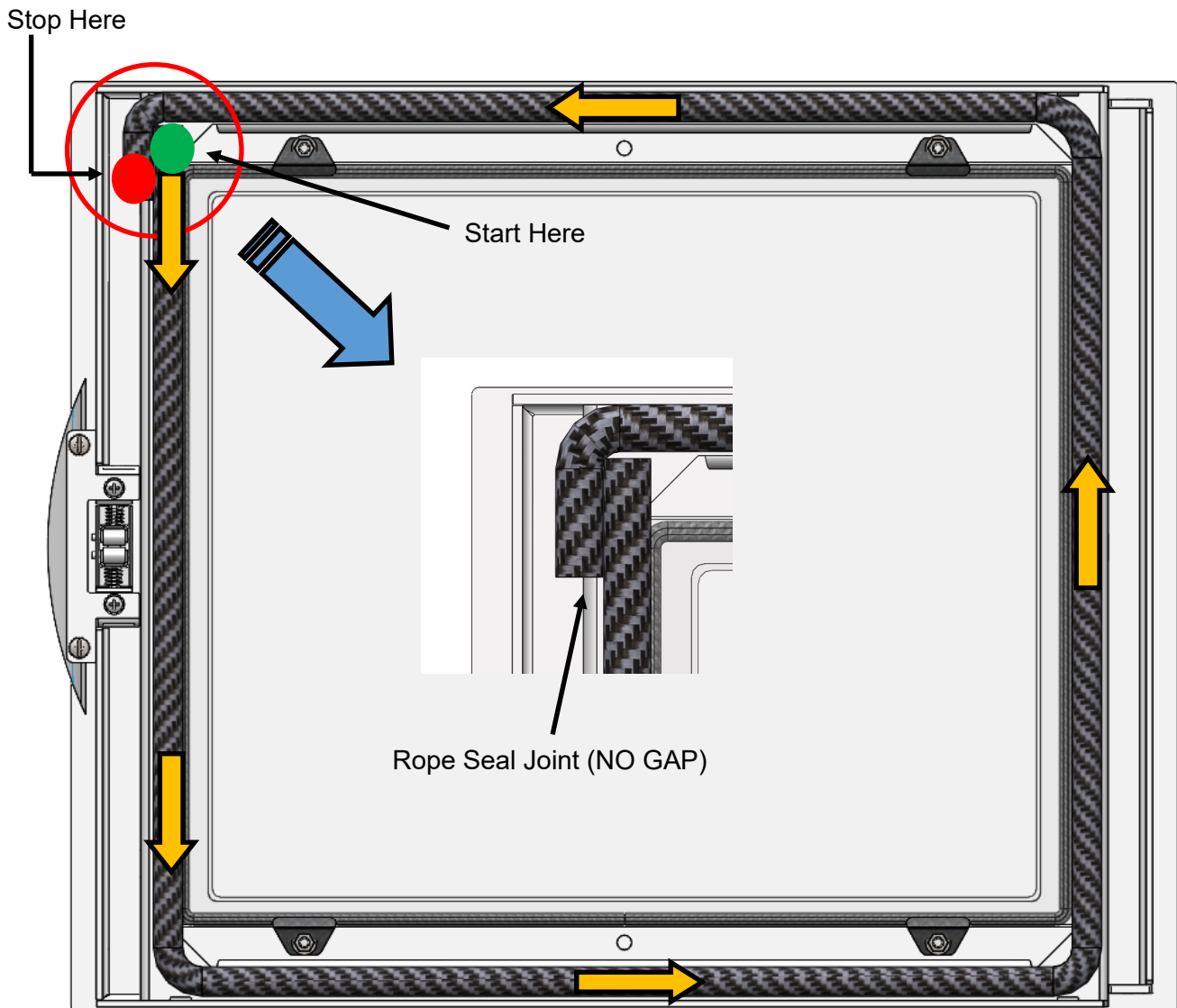
Note: Please ensure the ends of the rope seal touch to prevent no gap .



STAGE 9: Continued:

Steel & Glass Door Versions ONLY :

Note: Please ensure the ends of the rope seal touch to prevent no gap .



In both versions of the M-Series doors, loosely lay the length of rope along the outline or channel in the rear of the door, following the diagrams, ensuring that the rope seal is not stretched.

At the end joint, mark where you will need to cut, then follow **STAGE 5**.

TECHNICAL GUIDE—Replacing Stove Door Rope : 14mm

STAGE 10:

M-Series stove models only, depending upon your type of door, follow the rope layout as shown on page 8 (Cast door) or page 9 (Steel or Glass door).

Apply a 5—10 mm wide bead of silicone adhesive, into the rope channel within the door casting.

If you have a steel or glass door, follow the perimeter of the outer frame to apply the silicone adhesive.

Gently press the pre-cut length of rope, onto the adhesive, taking care not to stretch the rope seal.

Ensure that end joint on all door versions touch each side to prevent no gaps, as per cut out view on page 8 & 9.



Allow at least a minimum of 12 hours, for the adhesive to cure, before re-fitting the stove door .

If extra adhesive is used, increase the drying time.

STAGE 11:

M-Series stove models only, re-fit the door assemble, in the reversal of Stage 8.

With the door in place, check the closing of the latch and soundness of the door seal against the stove body.

If adjustment is required for the latching of the door, please view BK 773 user guide instructions which can be obtained from the Arada web site : www.aradastoves.com

DO NOT RELIGHT THE STOVE, for a further 12 hours after re-fitting the door.

TECHNICAL GUIDE—Replacing Stove Door Rope : 14mm

NOTES :

TECHNICAL GUIDE—Replacing Stove Door Rope : 14mm



Arada Ltd

The Fireworks, Weycroft Avenue - Axminster - Devon, EX13 5HU, UK

www.aradastoves.com T: +44 (0)1297 632050 Email : info@aradastoves.com