

Rear Heat Shield Kit

Fitting Guide

Optional Accessory Instructions



PLEASE RETAIN THIS GUIDE FOR FUTURE REFERENCE

EN13240:2011 +A2:2004

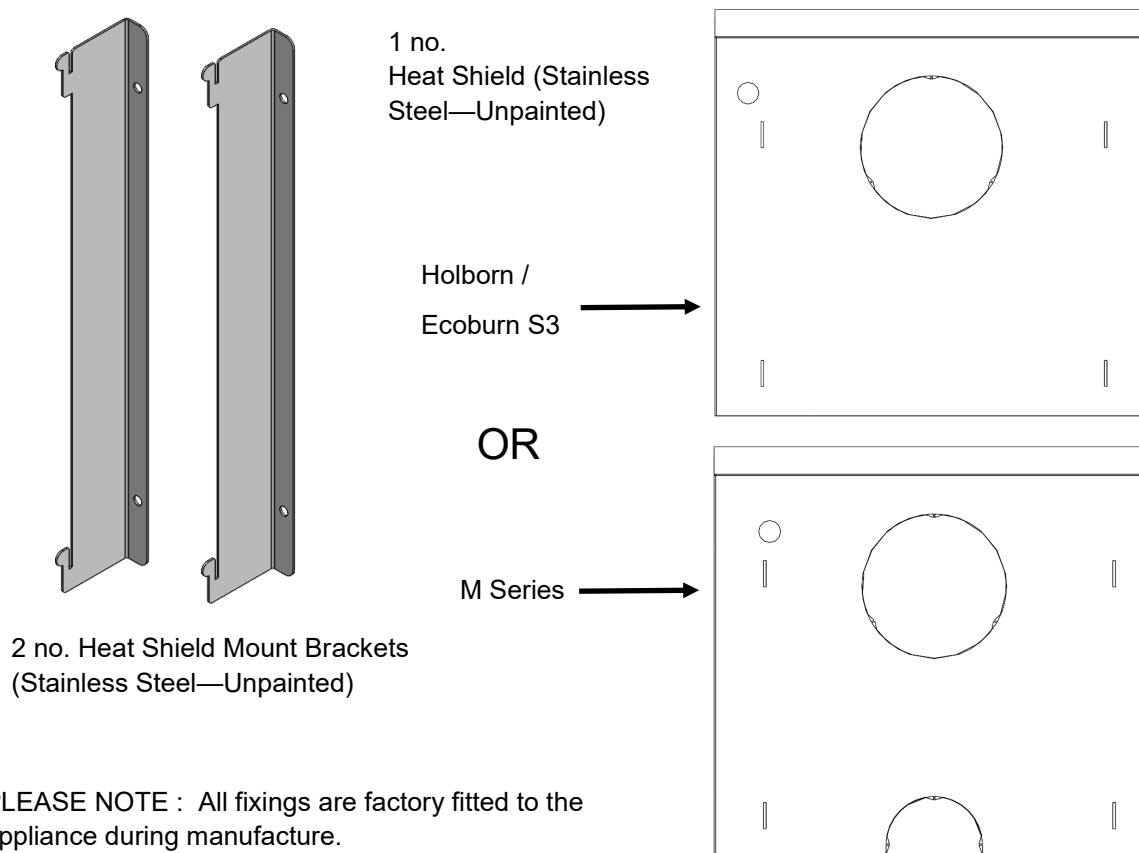
BK736 Rev 03

ISSUE DATE: 16/01/2023



REAR HEAT SHIELD FITTING GUIDE

1. Contents Of Kit :



2. Warnings :



IMPORTANT—Please ensure the appliance is cold and unlit before commencing fitting this accessory kit.

Please refer to the main instruction booklet, relevant to your stove, for guidance on the installation and operation of the appliance.

Please consult Health & Safety guidelines for advice on handling heavy and / or large items. When lifting, we recommend you always obtain assistance

Arada Ltd will not be responsible for any consequential or incidental loss or injury however caused.

Please note, this accessory kit can only be fitted **prior** to the appliance (stove) being installed and connected to the flue system, within the property.

When handling the components of the kit, it is recommended to wear suitable gloves to prevent hand injuries.



PLEASE NOTE: Images show Ecoburn S3, however procedure is the same regardless of appliance model.

3. Fitting Procedure :

Before starting this process, please ensure that the stove is cold and unlit

Step 1 : Working on the rear of the appliance, remove the 4x screw, indicated in figure 1.

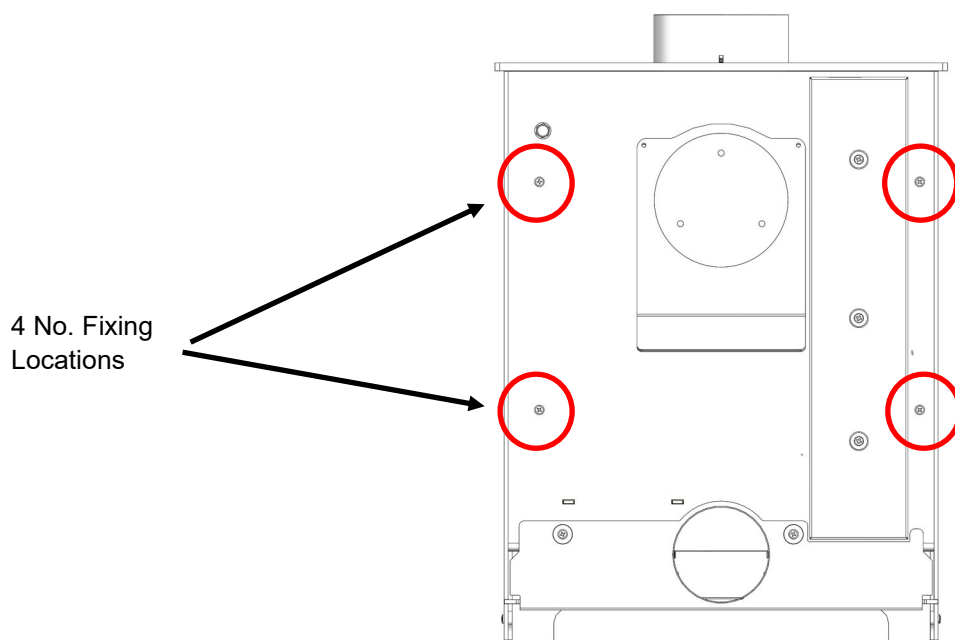


Figure 1. Fixing Locations

Step 2 : Take one of the mounting brackets and fix in place using 2no. Of the screws removed in step 1. See figure 2.

Please note the orientation of the bracket

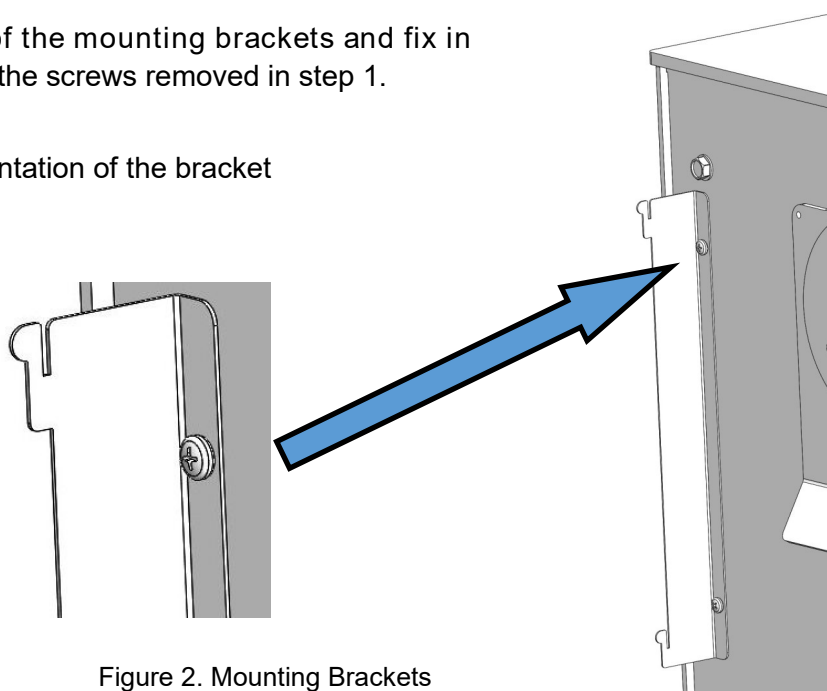


Figure 2. Mounting Brackets

REAR HEAT SHIELD FITTING GUIDE

3. Fitting Procedure Continued:

Step 3 : Repeat step 2 for the remaining mounting bracket.

Step 4 : Take the heat shield and position the mounting slots over the corresponding lugs on each side mounting bracket. Gently engage the lugs and push down, to locate the heat shield onto the mounting brackets as shown in figure 3.

Step 5 : With the heat shield fitted, please observe the revised distance to combustible materials, as stated in the instruction manual or product fiche on web site.

Flue Pressure Test Point Location.
This can be accessed whilst the
heat shield is in situ.

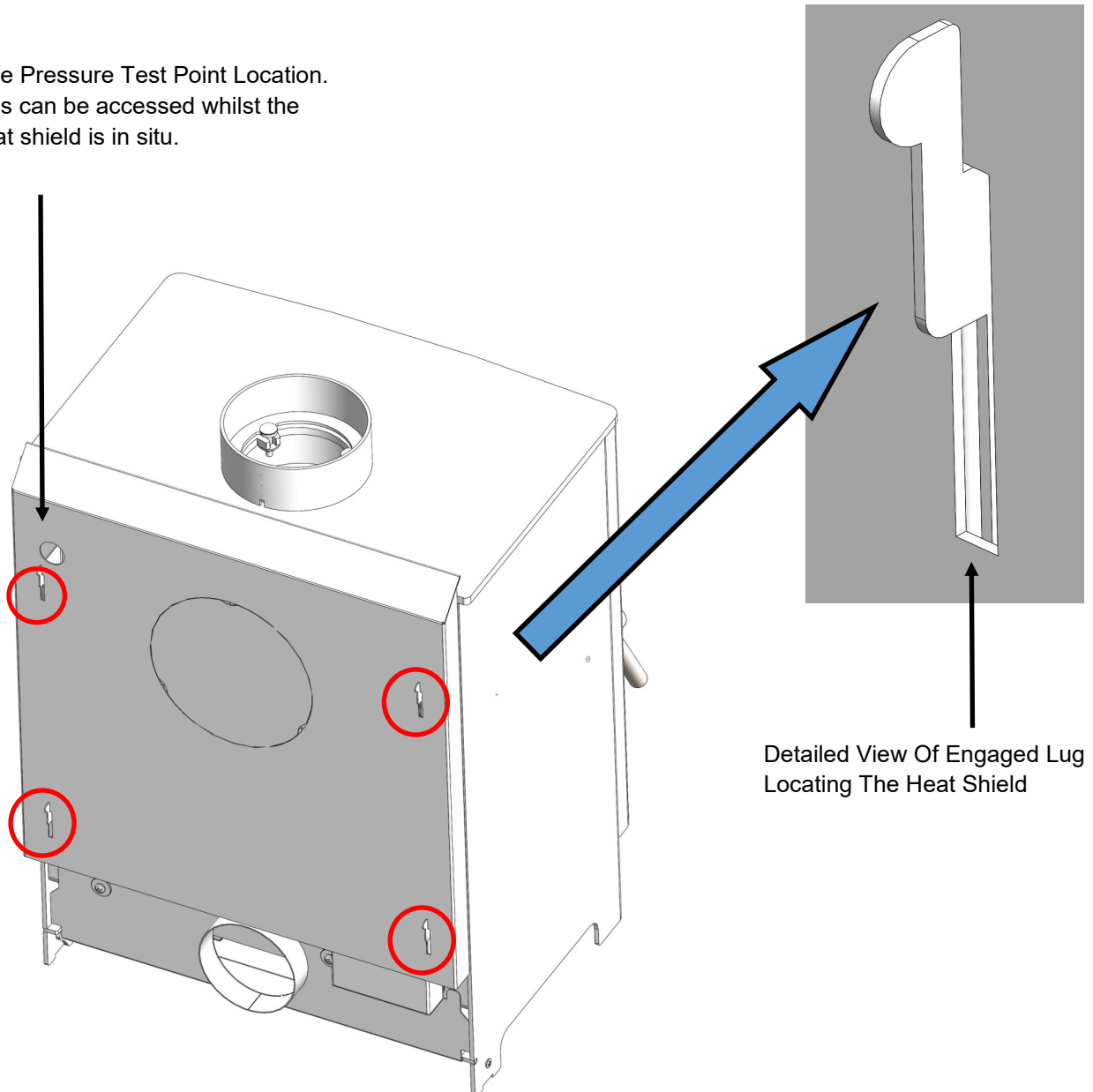


Figure 3. Heat Shield Layout

Arada Ltd, The Fireworks, Weycroft Avenue, Axminster, Devon, United Kingdom, EX13 5HU

Technical Help : +44 (0)1297 632052, www.aradastoves.com

Direct Air Kit Fitting Guide

Optional Accessory Instructions



PLEASE RETAIN THIS GUIDE FOR FUTURE REFERENCE

EN13240:2011 +A2:2004

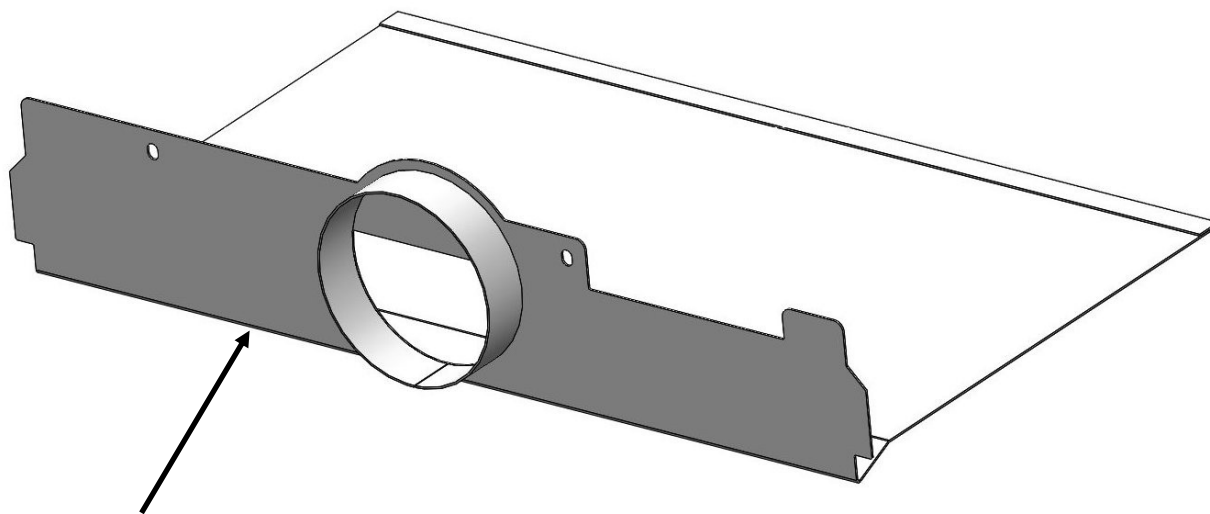
BK737 Rev 03

ISSUE DATE: 17/01/2023



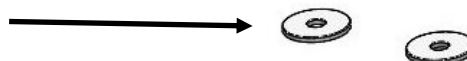
DIRECT AIR KIT FITTING GUIDE

1. Contents Of Kit :



1 no. Direct Air Plate (Stainless Steel—Unpainted)

2 no. M5 Penny Washer



2 no. M5 x 10mm Fixing Screws (Pozi)



2. Warnings:



IMPORTANT—Please ensure the appliance is cold and unlit before commencing fitting this accessory kit.

Please refer to the main instruction booklet relevant to your stove, for guidance and operation of the appliance.

Please consult Health & Safety guidelines for advice on handling heavy and / or large items. When lifting, we recommend you always obtain assistance

Arada Ltd will not be responsible for any consequential or incidental loss or injury however caused.

Please note, this accessory kit can only be fitted **prior** to the appliance (stove) being installed and connected to the flue system, within the property.

When handling the components of the kit, it is recommended to wear suitable gloves to prevent hand injuries.

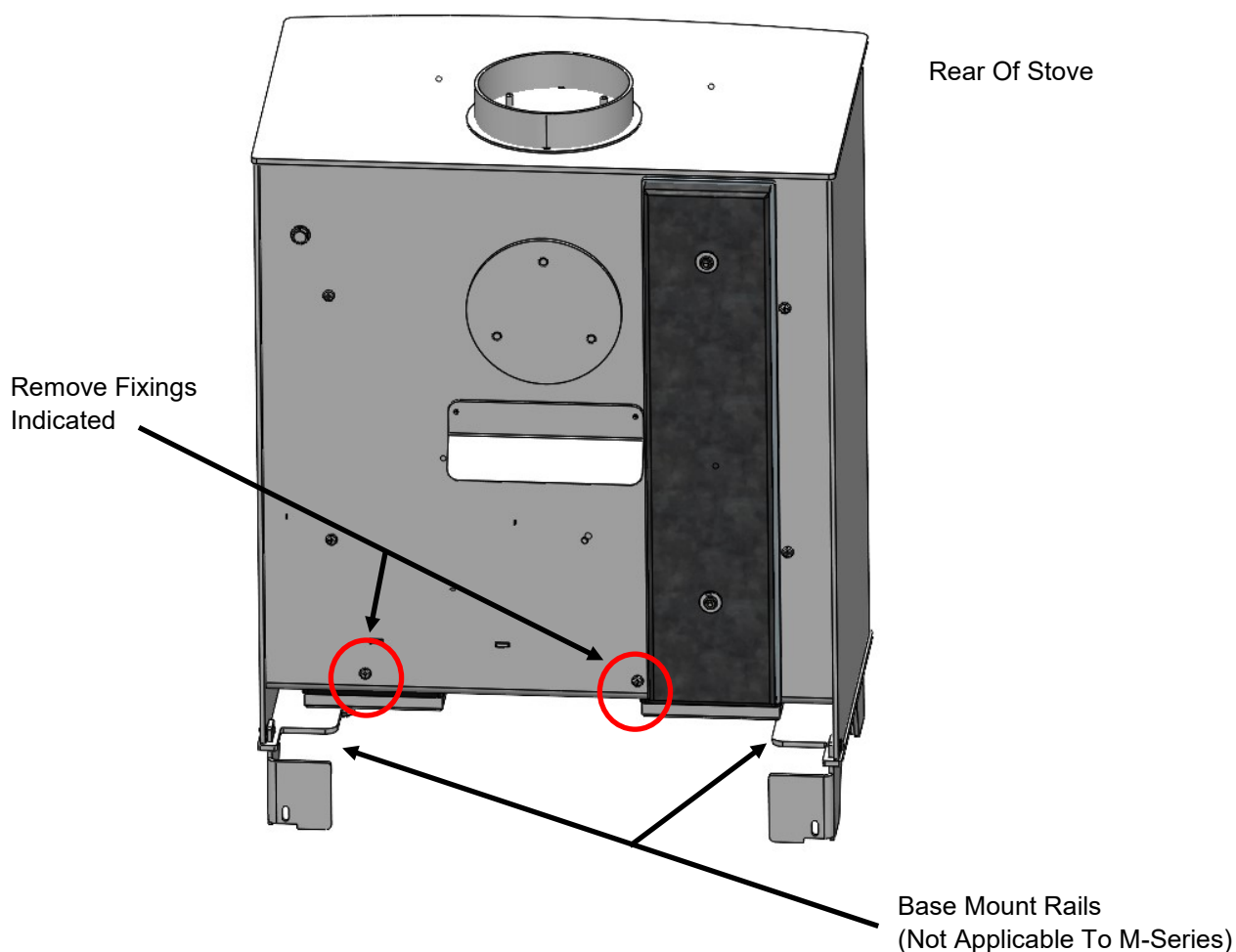


PLEASE NOTE: Images show Ecoburn S3, however the procedure is the same regardless of appliance model.

3. Fitting Instructions:

Step 1 : Working at the rear of the appliance, locate and remove the 2no. Fixings as shown below.

Step 2: Whilst at the rear, locate the base mount rails, as shown below. Please note, this is not applicable for M-Series stoves.

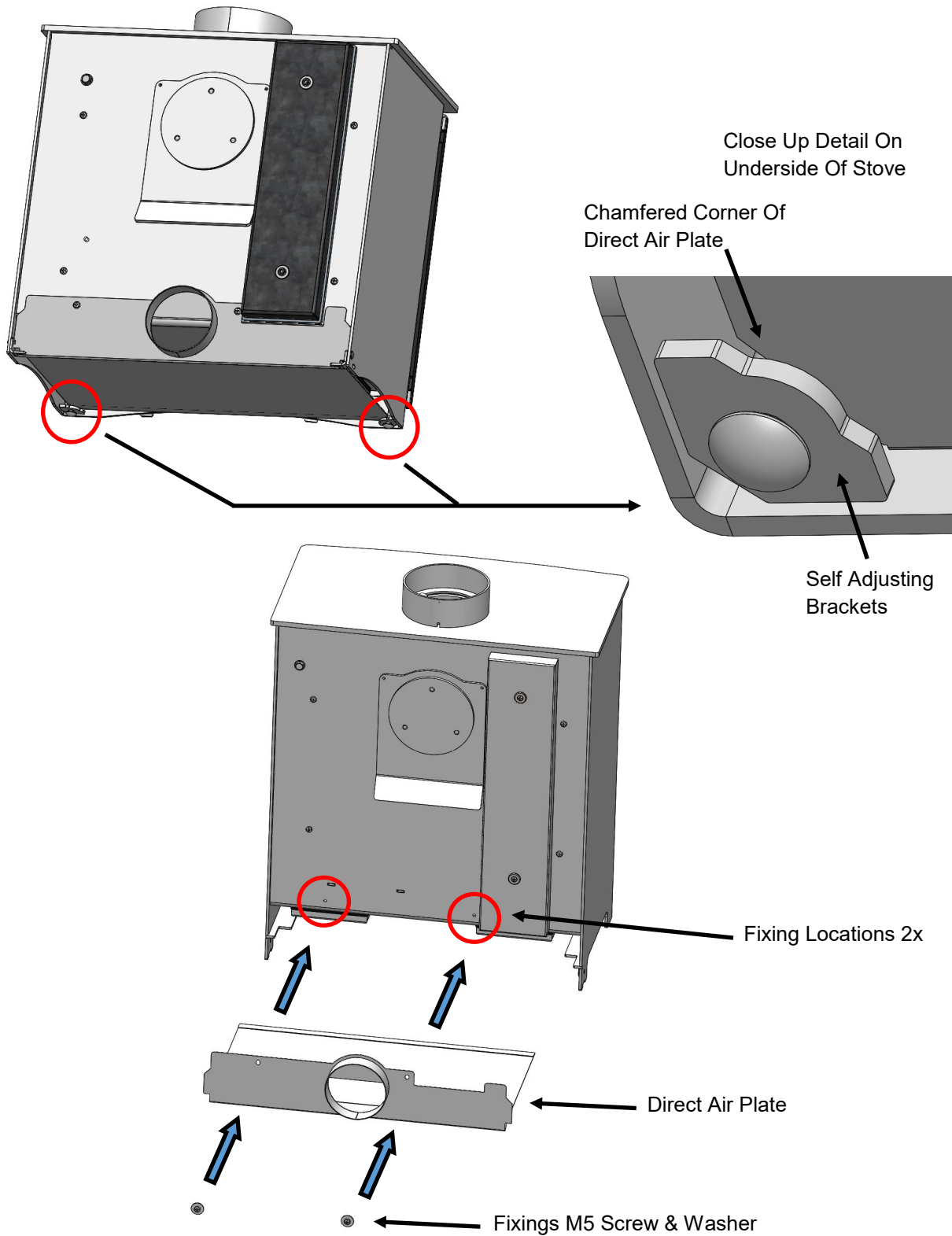


Step 3: Take the direct air plate and slide the open end into the stove, resting the base of the plate onto the base mount rails. Slide the plate forward until the rear fold makes contact with the rear of the appliance.

For the M-Series stoves, ensure the plate is slid forward to make contact with the rear surface of the stove. The front chamfered corners of the direct air plate rest upon the self adjusting brackets at the front of the stove body. See pictures on adjacent page.

DIRECT AIR KIT FITTING GUIDE

PLEASE NOTE: M-Series Specific Only



Step 4: Secure in place using the M5 screws and M5 washers supplied, as shown above.

Arada Ltd, The Fireworks, Weycroft Avenue, Axminster, Devon, United Kingdom, EX13 5HU

Technical Help : +44 (0)1297 632052, www.aradastoves.com