



# IMPORTANT



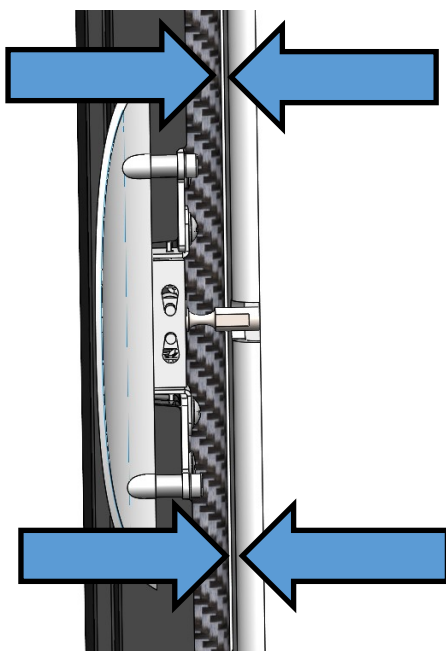
## ADDENDUM SHEET FOR User Guide BK766 (M-Series Stoves)

Please see enclosed instruction that will assist you in the adjustment of your fire door throughout its life:

### STEP 1 : Identify the issue with your stove

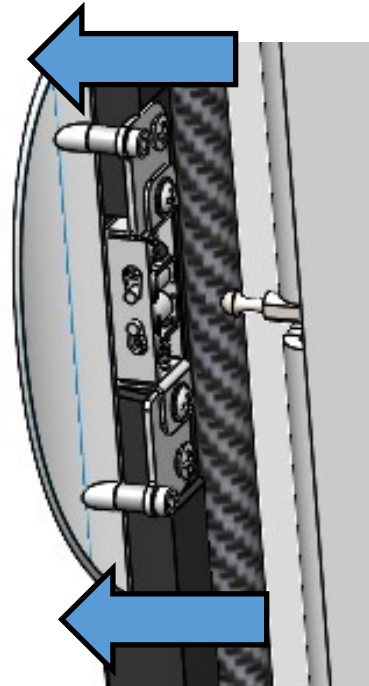
#### Issue A

Small Gap  
Between  
Seal &  
Stove



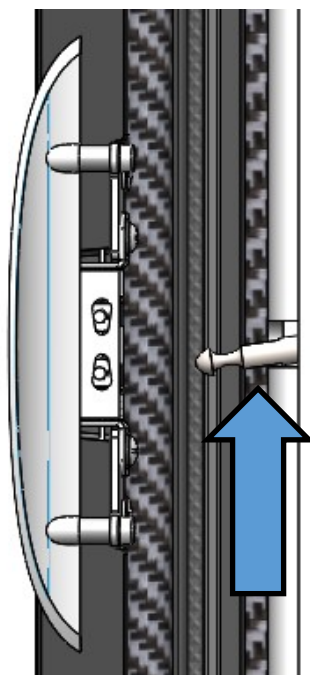
#### Issue B

Door  
Will  
NOT  
Latch  
Closed



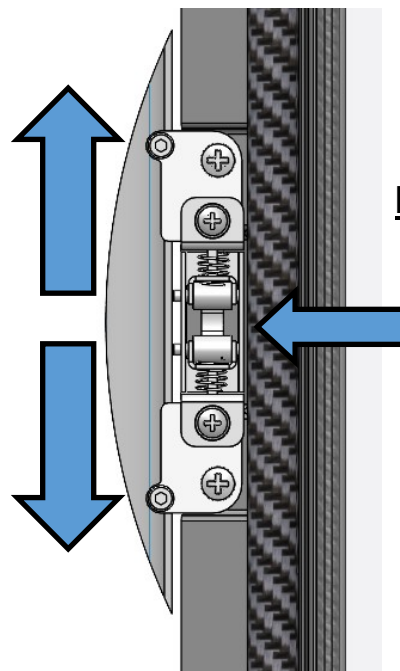
#### Issue C

Loose  
Door  
Pin



#### Issue D

Jammed  
Open  
Roller  
Guides  
On  
Catch



**STEP 2 : Adjustment steps and guide: Issue A**



**WARNING : ENSURE THAT THE APPLIANCE IS UNLIT & COLD BEFORE ATTEMPTING ANY OF THE ENCLOSED INSTRUCTIONS**

A visible gap between the door seal and the stove body.

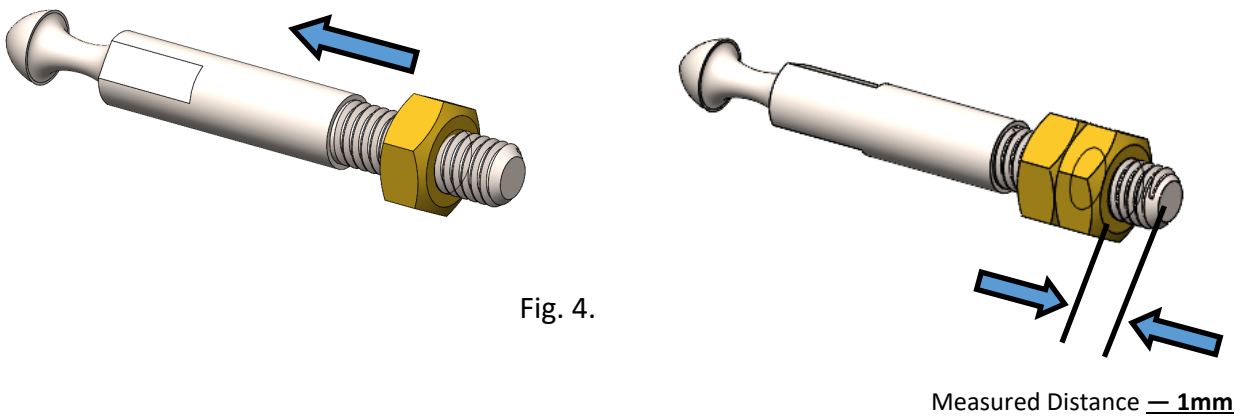
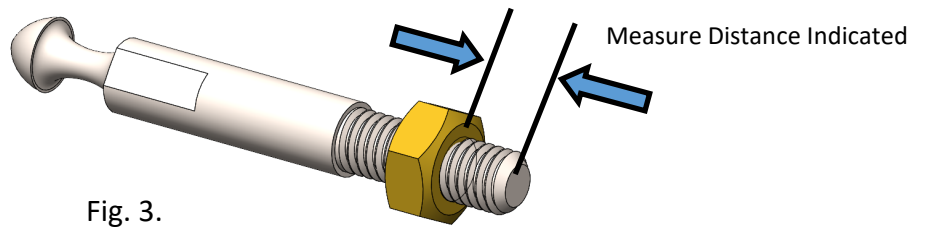
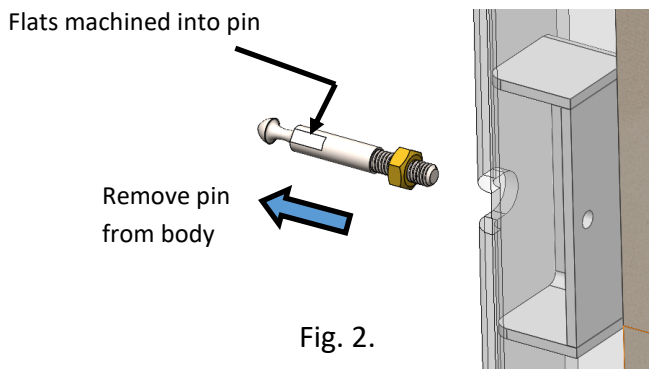
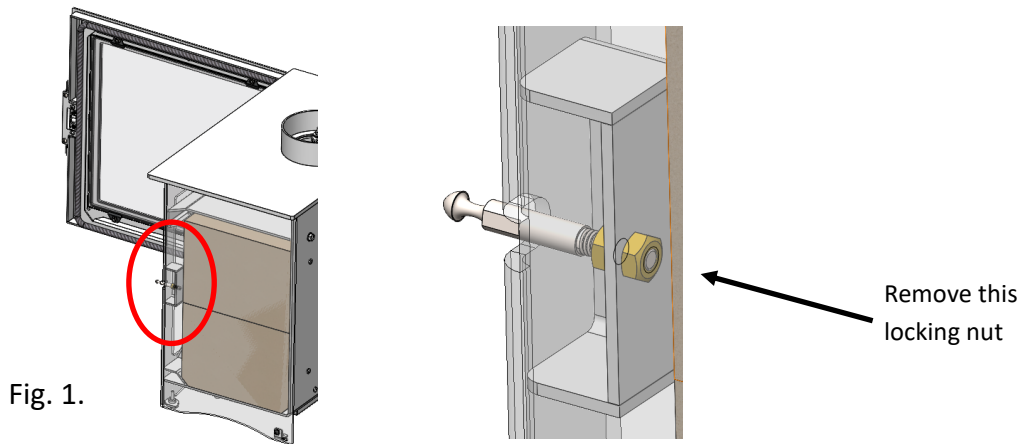
This will require the door pin to be adjusted clockwise towards the body, resulting in moving the pin closer to the body face and therefore pulling the door towards the body of the stove, compressing the rope seal.

**PLEASE NOTE: This rectified procedure differs from the original factory setup you may have present on your stove.**

To correctly adjust the door please follow the following steps:

- Open the door
- In the inside of the firebox on the right hand side (BEHIND PIN) remove the lock nut, using a 10mm spanner, see Fig.1.
- Using a pair of pliers, unscrew the pin, using the flats built into the end of the pin. Withdraw the pin from the stove body, see Fig.2.
- You will notice on the pin there will be a brass nut, approximately half way down the threaded section of the pin. Take a ruler and measure the distance from the nut to the end of the threaded section of the pin, make a note of this dimension, see Fig.3.
- Screw the adjustment nut, towards the catch (pointed end) of the pin. With the lock nut, (removed in point 2 of the above), screw this onto the pin.
- This lock nut should be **1mm less** than the dimension measure and noted above. Check with a ruler. Whilst holding this lock nut, screw the remaining adjustment nut to tighten against the lock nut, see Fig.4.
- Place the pin through the body opening, ensuring that the nuts are not disturbed. Tighten into body.
- Close the fire door and check for gaps in the rope seal, together with the door catch is holding the door closed.
- If a gap in the rope seal is still present, then repeat the above set of instructions. Except this time take a further 1mm from the noted measurement.
- If the door will not latch closed, then the pin is adjusted to close to the body of the stove, please see further sections in these instructions.

***STEP 2 : Adjustment steps and guide: Issue A : continued***



**STEP 2 : Adjustment steps and guide: Issue B**

The fire door will not stay closed or latch on the catch.

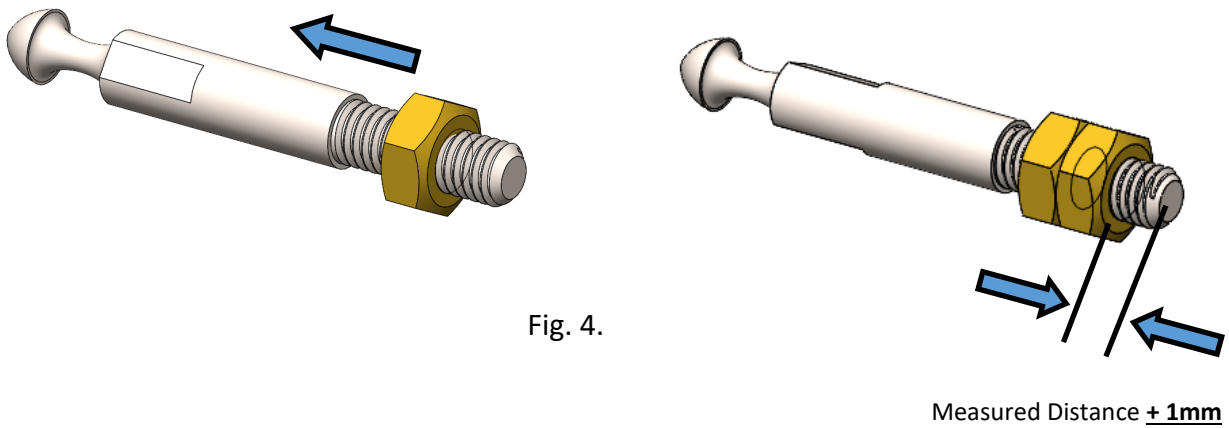
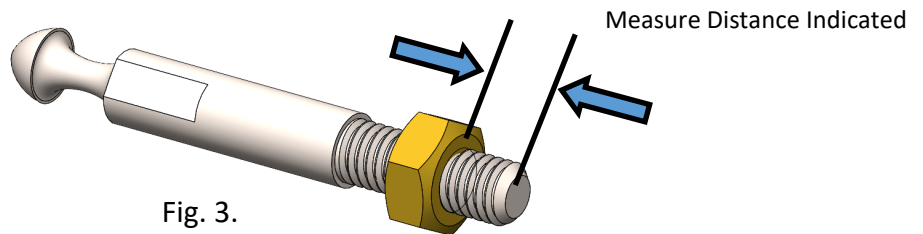
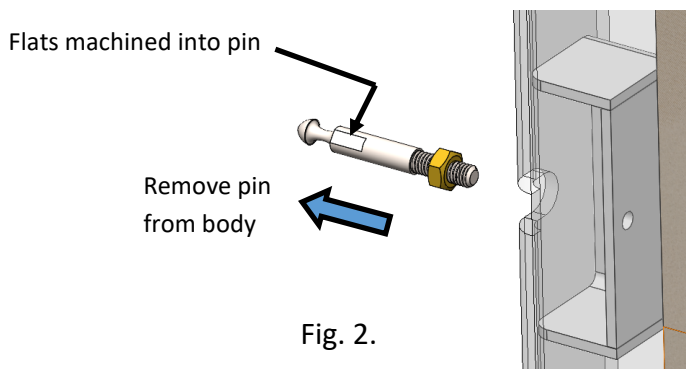
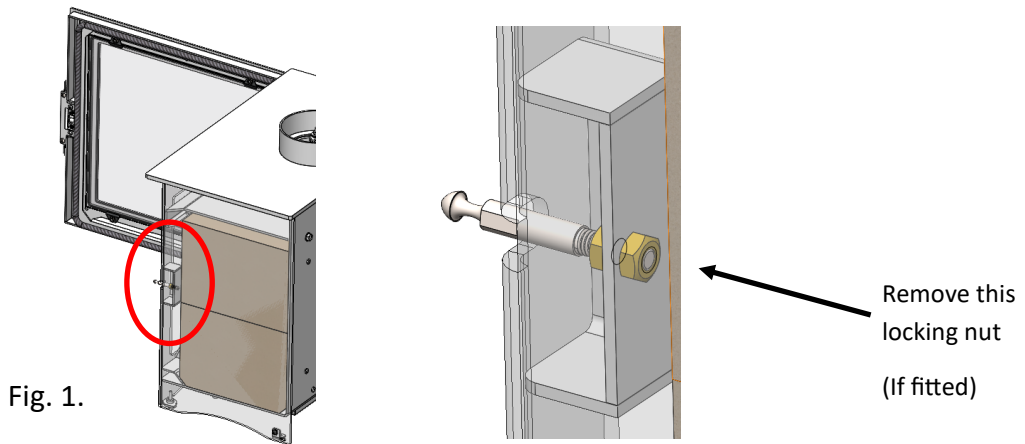
This will require the door pin to be adjusted anti-clockwise away from the body, resulting in moving the pin away from the body face and therefore pushing the door away from the body of the stove, latching the pin into the catch rollers.

**PLEASE NOTE: This rectified procedure differs from the original factory setup you may have present on your stove.**

To correctly adjust the door, please follow the following steps:

- Open the door
- In the inside of the firebox on the right hand side (BEHIND PIN) remove the lock nut, using a 10mm spanner, see Fig.1.
- Using a pair of pliers, unscrew the pin, using the flats built into the end of the pin. Withdraw the pin from the stove body, see Fig.2.
- You will notice on the pin there will be a brass nut, approximately half way down the threaded section of the pin. Take a ruler and measure the distance from the nut to the end of the threaded section of the pin, make a note of this dimension, see Fig.3.
- Screw the adjustment nut, towards the catch (pointed end) of the pin. With the lock nut, (removed in point 2 of the above), screw this onto the pin.
- This lock nut should be **1mm increased** from the dimension measure and noted above. Check with a ruler. Whilst holding this lock nut, screw the remaining adjustment nut to tighten against the lock nut, see Fig.4.
- Place the pin through the body opening, ensuring that the nuts are not disturbed. Tighten into body.
- Close the fire door and check for latching onto the roller catch. Also check for gaps in the rope seal all around the perimeter of the door.
- If the door will still not latch closed, then the pin will need further adjustment, say a further +1mm onto the noted measurements, moving the pin away from the body
- If a gap in the rope seal is still present, t, please see further section in these instructions.
- hen repeat the above set of instructions. Except this time take a further 1mm from the noted measurement.
- If the door will not latch closed, then the pin is adjusted to close to the body of the stove, please see further section in these instructions.

***STEP 2 : Adjustment steps and guide: Issue B : continued***



**STEP 2 : Adjustment steps and guide : Issue C**

A loose door pin.

This will require the door pin to be tightened, by screwing the pin, clockwise towards the stove body. However, once the pin is tight, check for gaps between the door rope seal and stove body and or latching of the fire door shut.

If either there are gaps present, please follow instructions on PAGE 2 & 3.

If the door will not latch, please follow instructions on PAGE 4 & 5.

**STEP 2 : Adjustment steps and guide: Issue D**

Jammed open roller guides within catch.

With the rollers seized or jammed in the catch unit, this will prevent the door from being retained closed. In most cases a new catch is not required, as simply the catch just needs adjustment, please see the below instructions :

- Open the door
- **\*\*\*NOTE\*\*\*** It is important that you take **NOTE** of the positioning of the catch assembly mounting of your door catch. The early production versions had the catch mounted on top of the plates, see Fig.1. The later (current models) have the catch assembly mounted below these plates see Fig.2.
- At the catch mountings, loosen both screws (but do not remove these), see Fig.3. In some cases this may free the jammed roller guides within the catch. If the roller guides still remained seized open, then a replacement catch will be required.
- Using a wide flat bladed screw driver, place this between the catch and the edge of the door, as shown in Fig.4. Check to see if the roller guide, return to the closed position, near to the centre of the catch
- Lever the catch away from the side of the door (i.e.: towards the handle), whilst doing so retighten the 2x retaining screws.
- Check the operation of the door closure, to make sure it latches closed and the roller are not again jammed open.
- Also check for any gaps in the rope seal, if present see *Issue A*, like wise, check the door latches against the catch, any problems see *Issue B*, in these instructions.

***STEP 2 : Adjustments steps and guide: Issue D : continued***

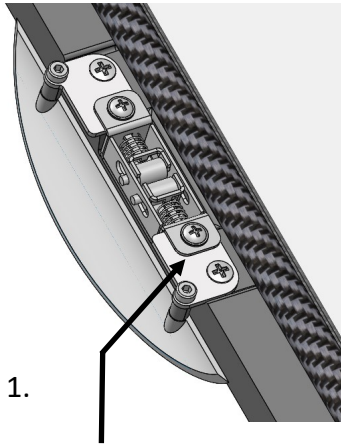


Fig. 1.

Catch mounted on top of plate

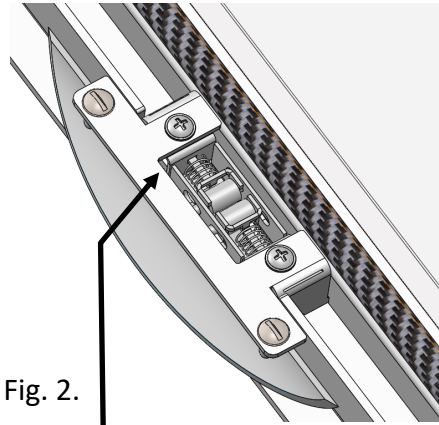
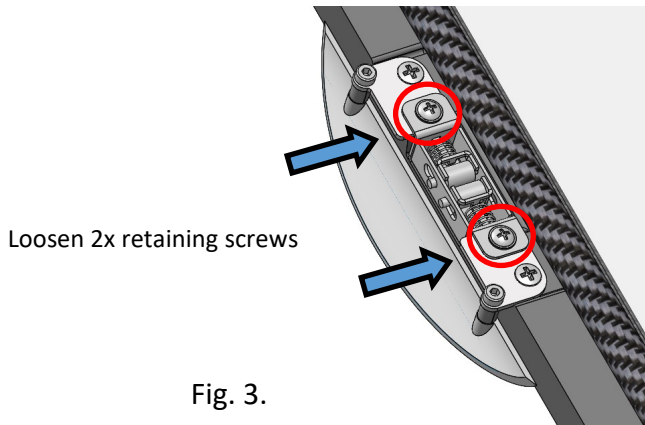


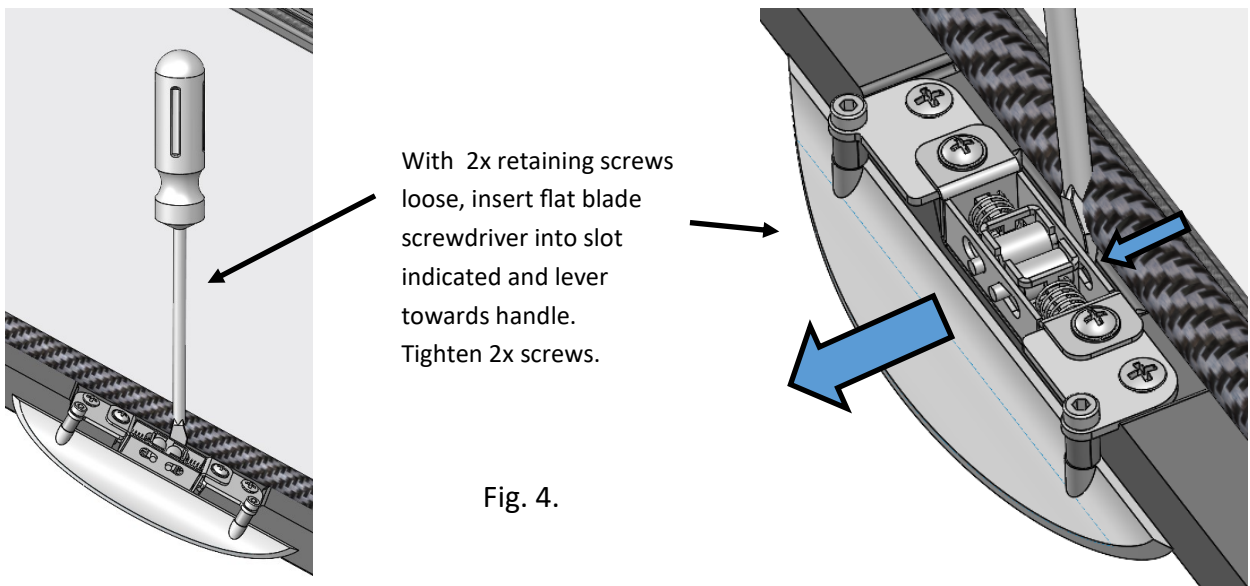
Fig. 2.

Catch mounted below plate



Loosen 2x retaining screws

Fig. 3.



With 2x retaining screws loose, insert flat blade screwdriver into slot indicated and lever towards handle. Tighten 2x screws.

Fig. 4.

---

**Arada Ltd**

The Fireworks, Weycroft Avenue - Axminster - Devon, EX13 5HU, UK

www.aradastoves.com T: +44 (0)1297 632050 Email : info@aradastoves.com